

# CLEANFIX RA805

## Contents

PDF created on: 31.10.2023 12:52



### RA 800 Sauber



Lenksäule  
Steering column  
Collone de conduction  
**B 11 / ST 11**  
**B 11a / ST 11a**

Elektronik  
Electronique  
Electronic  
**B 13 / ST 13**

Lenkung  
Direction  
Steering element  
**B 12 / ST 12**

Fahrwerk  
Drive unit for wheel support  
Bloc moteur pour le socle support  
**B 16 / ST 16**

Schmutzwassertank  
Wastewater tank  
Reservoir d'eau sale  
**B 1 / ST 1**

Einbau Batterie  
Montage de la batterie  
Batterie assembling  
**B 13a / ST 13a**

Stromlaufplan  
Diagramme électrique  
Wiring diagram  
**B 18 / ST 18**

Saugdüsenaufhängung  
Suspension suction nozzle  
Suspension bec de dévolteur  
**B 14 / ST 14**  
**B 14a / ST 14a**

Sauggebläse  
Vacuum motor  
Moteur d'aspiration  
**B 2 / ST 2**

Grobschmutzfilter  
Filter for raw parts  
Filtre à grand pièces  
**B 1.1 / ST 1.1**

Bremssystem  
Brake system  
Système de freinage  
**B 15 / ST 15**

Bürstenkopf  
Brush device  
Système de brosse  
**B 5/ST 5 - B 5-1/ST 5-1**

Wasserverteilung  
Water distribution  
Distribution d'eau  
**B 8 / ST 8**

Frischwassertank  
Clean water tank  
Seau d'eau propre  
**B 17 / ST 17**  
**B 17a / ST 17a**  
**B 17b / ST 17b**

Abhebung Bürstenkopf  
Adjustment brush device  
Réglage tête brosse  
**B 9 / ST 9**

Zubehör Bürstenkopf  
Accessoires brush heading  
Accessoires tête de brosse  
**B 3 / ST 3**

Saugdüse  
Buse d'aspiration  
Suction nozzle  
**B 7 / ST 7**

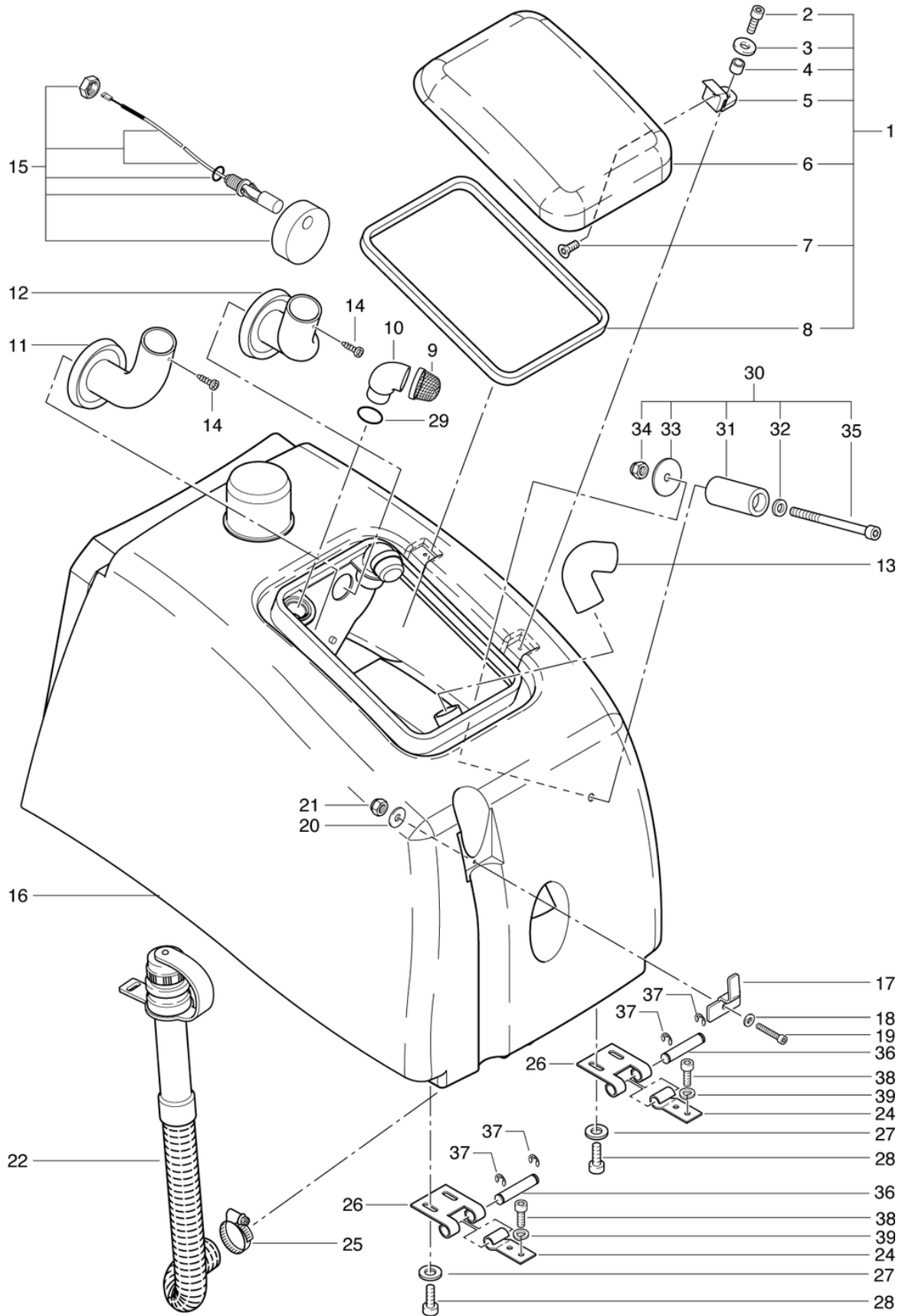
# CLEANFIX RA805

## Waste water tank

PDF created on: 31.10.2023 12:52



RA 800/900 Sauber



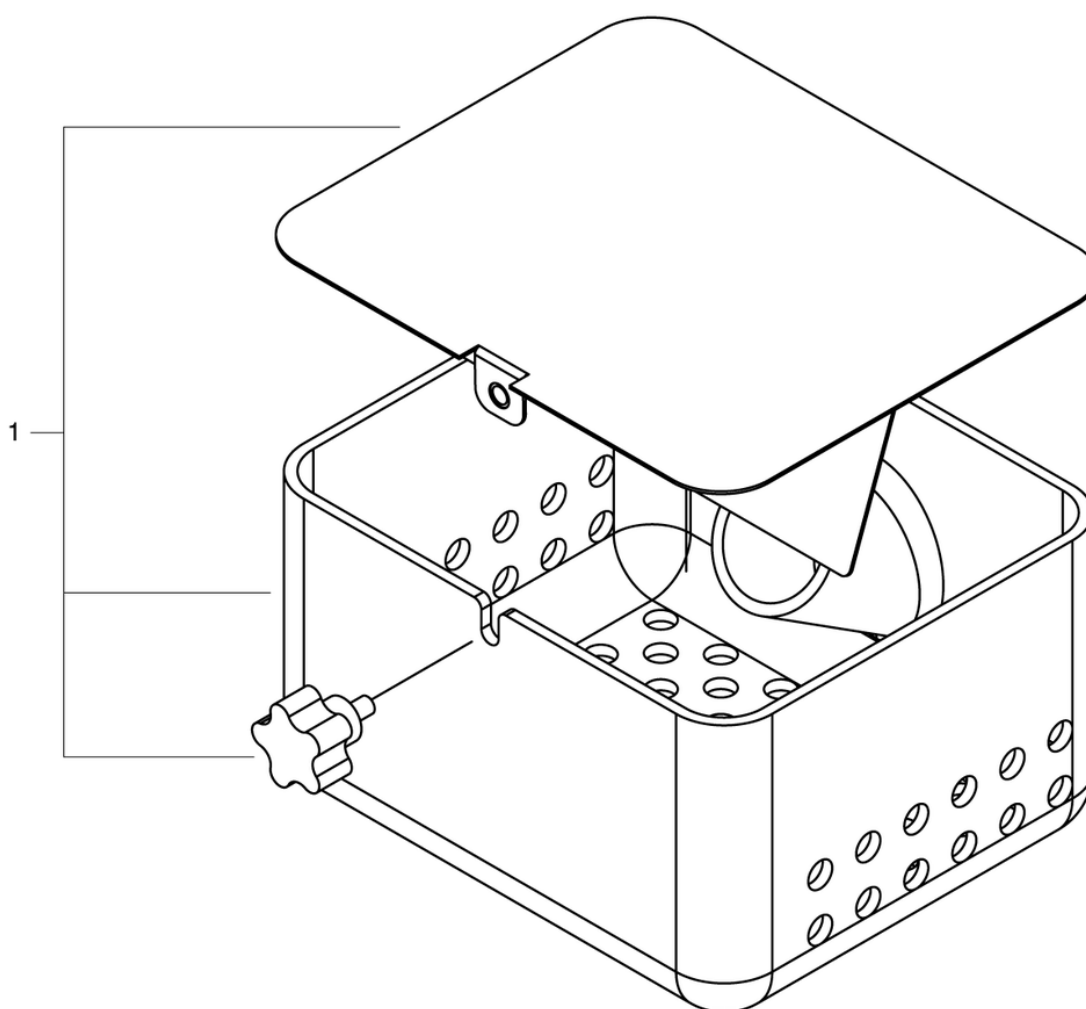
<b>Pos.</b>	<b>Item no.</b>	<b>Spare part</b>
1	800.610	Waste Lid Complete
2	P489E	Screw DIN 912 M5 x 10 A2
3	P497K	Washer DIN 125 A M6 6,4/12/1,6 A2
4	430.618	Distance ring $\varnothing 7/5$ x 5,5
5	710.122	Rubber Hinge
6	800.613	Transparent Housing
7	P4800	Screw DIN 965 M4 x 8 A2
8	710.121	Cover seal EPDM black
9	400.766A	Air filter cpl. rustproof black
10	430.735	Suction Bend
11	800.627	Suction beak left
12	800.625	Suction beak right
13	560.674	Elbow connector $\varnothing 42$ / 33
14	P484N	Screw DIN 7981 C 3,5 x 9,5
15	800.671	Float including Level Sensor
16	800.606	Wastewater tank
17	P109G	Hose holder
18	P497G	Washer DIN 125 A M5 5,3/10/1 A2
19	P488Z	Screw DIN 912 M5 x 30 A2 with shaft
20	6230217	Shim 5 x 12 x 1 copper
21	P493G	Nut DIN 985 M5
22	P561A	Drain hose with crimp sleeve 1.1m
24	800.475	Freshwater tank charnier
25	P206D	Hose clamp 32-50mm/12
26	800.615	Frame joint for wasterwatertank
28	P486R	Screw DIN 912 M6 x 16
29	P961E	Ring DIN 3771 28/2 EPDM
30	800.617	Holder for suction nozzle suspension
31	800.616	Tab
32	P497T	Shim DIN 9021 M8 8,4/24/2 A2
33	P204A	Shim 54/10,5/3
34	P492N	Nut DIN985 M8 A2
35	P489A	Screw DIN 912 M8 x 100 A2 with shaft
36	800.499	hinge pin
37	P500P	Shim DIN 6799 12/23,4/1,3
38	P488P	Screw DIN 912 M6 x 16 A2
39	P498U	Ring DIN 127 B M6 6,1/11,8/1,6 A2

# CLEANFIX RA805

## Filter for raw parts

PDF created on: 31.10.2023 12:52

RA 800/900 Sauber





<b>Pos.</b>	<b>Item no.</b>	<b>Spare part</b>
1	800.640	Filter for raw parts

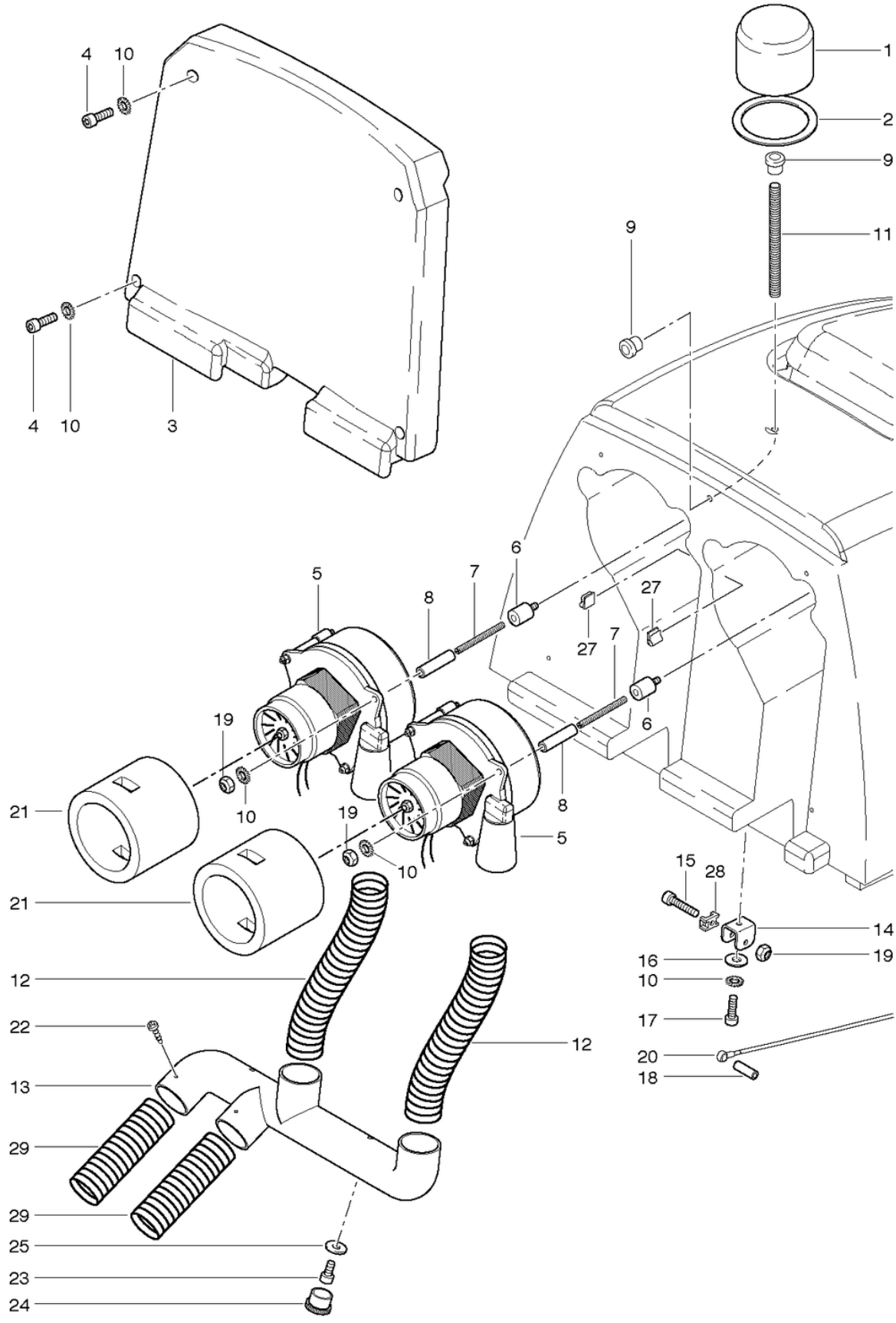
# CLEANFIX RA805

## Vacuum motor

PDF created on: 31.10.2023 12:52



RA 800/900 Sauber



<b>Pos.</b>	<b>Item no.</b>	<b>Spare part</b>
1	800.620	Flashing Light
2	800.621	Rubber sheet
3	800.480	Hose
4	P486X	Screw DIN 912 M6 x 22
5	440.206	Suction Motor- 24 V / 400W
6	400.217	Round buffer M6 x 8, ø 20 x 25
7	P489M	Pin DIN 913 M6 x 60 St galvanized
8	300.435	Guide bushing ø10 / 6.1 x 29
9	041.405	Cable grommet CR black, inside ø10mm
10	P498H	Spring ring M 6
11	P571G	PM Aflex, black, NW 10, L = 150mm
12	400.227	Isolation hose 0.28m
13	800.631	exhaust duct
14	800.623	Fixation bracket
15	P486U	Screw DIN 912 M6 x 35 A2 with shaft
16	P497H	Washer DIN 9021 M6 6,4/18/1,6 A2
17	P488Q	Screw DIN 912 M6 x 25 A2
18	710.159	Bushing for wire
19	P492I	Security screw - nut M 6
20	800.624	Cord to freshwater tank
21	530.737	Sound Damping
22	P4830	Screw DIN 7981 TX25 C 4,8 x 19 A2
23	P487Z	Screw DIN 7984 M6 x 16 galvanized
24	P168	Squeegee plug D = 13.5-15
25	P497K	Washer DIN 125 A M6 6,4/12/1,6 A2
27	P360	Nature cable holder
28	125.111	Cable tie holder
29	800.053	Isolation hose 195 mm

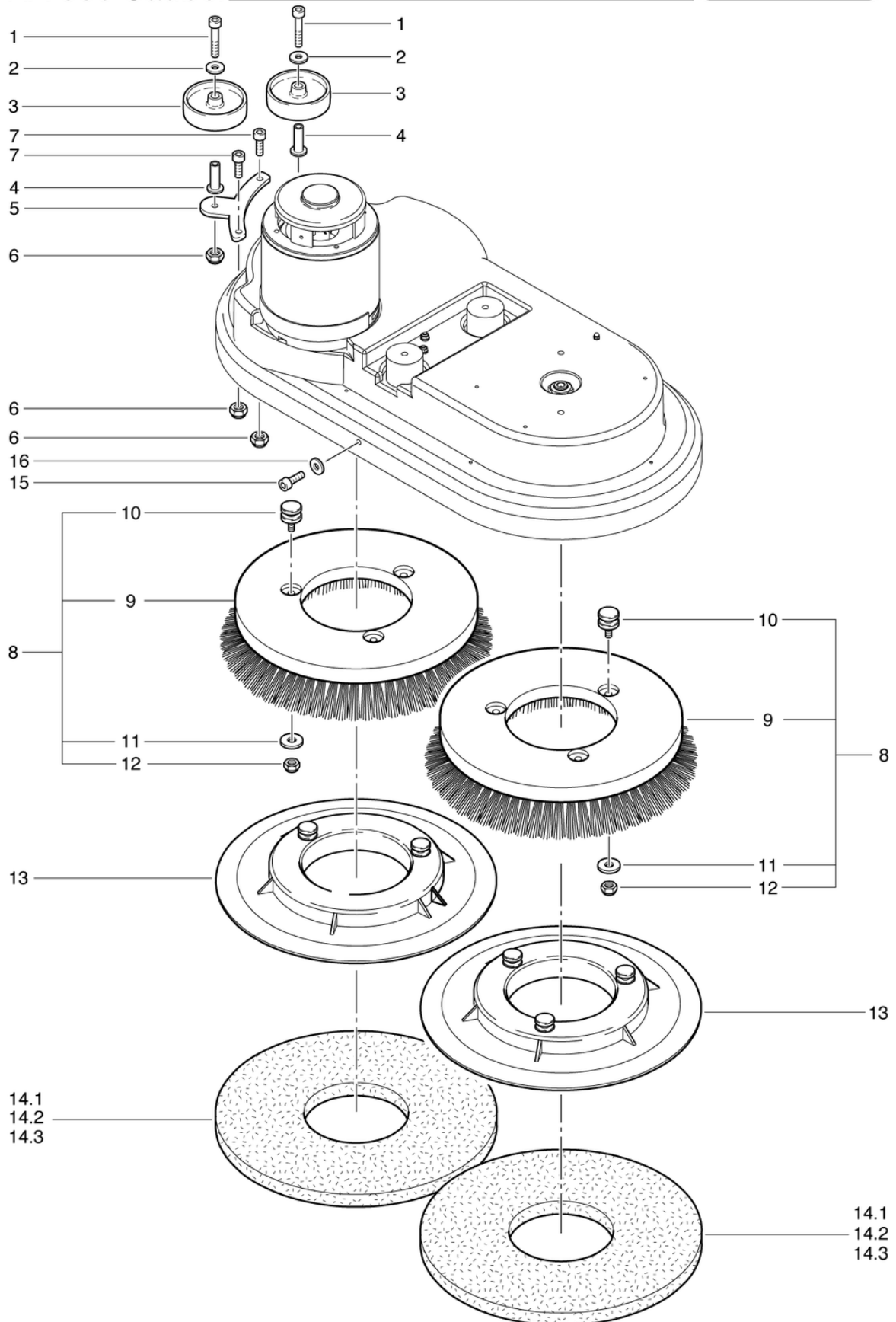
# CLEANFIX RA805

## Accessories brush heading

PDF created on: 31.10.2023 12:52



### RA 800 Sauber



<b>Pos.</b>	<b>Item no.</b>	<b>Spare part</b>
1	P489H	Screw DIN 912 M8 x 55 A2 with shaft
2	P497T	Shim DIN 9021 M8 8,4/24/2 A2
3	530.136	Fender Wheel RA430/530
4	800.089	Bearing pod
5	800.085	Holder
6	P492H	Nut DIN 985 M8 St galvanized
7	P487D	Screw DIN 912 M8 x 25
8	800.059	Scrubbing brush, Ø 38cm
9	800.059A	Brush body
10	710.462	Bolt for Driving Plate
11	P510L	Washer DIN 522 M6 6,4/25/1,5 A2
12	P492K	Nut DIN 985 M6 A2
13	800.070	Driving disc
14	800.902.5	Standard Pad, red, Ø 381mm, 15 (5 pcs.)
14	800.903.5	Standard Pad, blue, Ø 381mm, 15 (5 pcs.)
14	800.904.5	Standard Pad, brown, Ø 381mm, 15 (5 pcs.)
15	P489K	Screw DIN 912 M6 x 20 A2
16	P497H	Washer DIN 9021 M6 6,4/18/1,6 A2

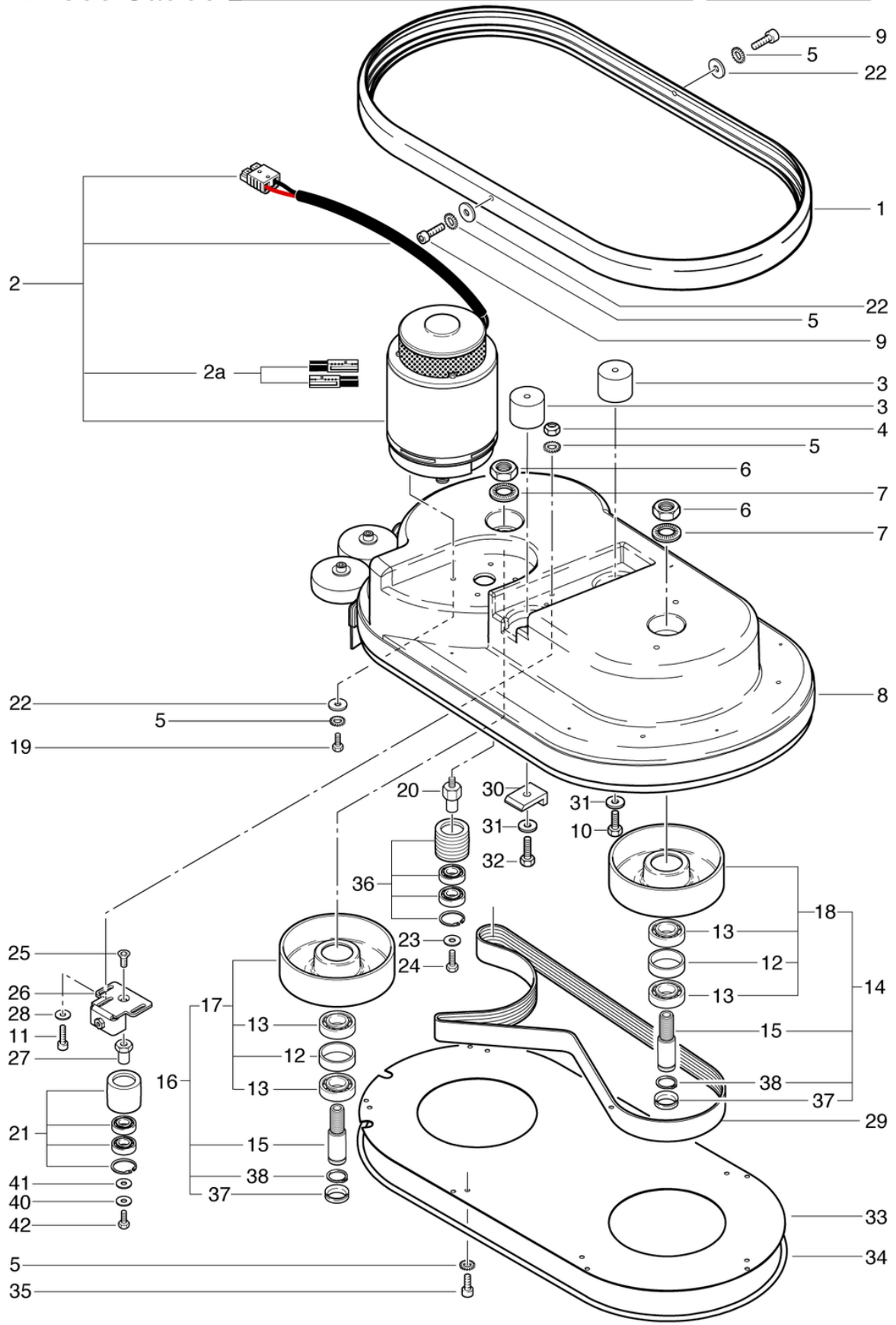
# CLEANFIX RA805

## Brush device

PDF created on: 31.10.2023 12:52



RA 800 Sauber



Pos.	Item no.	Spare part
1	800.076	Bumper
2a	710.441A	Carbon Brushes (4 pcs)
2	710.441	Motor
3	710.448	Round Buffer $\varnothing$ 50 x 40
4	P492K	Nut DIN 985 M6 A2
5	P498D	Washer DIN 6798 M5 5,1/9/0,5 A2
6	P492R	Nut DIN 934 M20 x 1.5 A2
7	P498Q	Shim NFE 25511 M20 20,5/40/4,9
8	800.050	Brush device compl.
9	P486I	Screw DIN 7984 M5 x 16 galvanized
10	P472W	Screw DIN 933 M10 x 16 A2
11	P486X	Screw DIN 912 M6 x 22
12	3611851	Spacer ring $\varnothing$ 52 / 45 x 15
13	P316P	Deep groove ball bearing 6205 2RS $\varnothing$ 52 / 25 x 15
14	710.420	Belt pulley $\varnothing$ 171 pre-assembled on the left
15	742.125	Main Axle
16	710.423	Belt pulley $\varnothing$ 167 pre-assembled on the right
17	710.422	Belt Pulley $\varnothing$ 167 right
18	710.421	Belt Pulley $\varnothing$ 171 left
19	P488B	Screw DIN 912 M5 x 12 A2
20	800.063	Bolt
21	710.437	Deflection roller including bearing
22	P497E	Shim DIN 9021 M5 5,3/15/1,2 A2
23	P496J	Shim DIN 522 M8 8,4/20/1,2
24	P472V	Screw DIN 933 M8 x 16 A2
25	P480Q	Screw DIN 7991 M8 x 16 A2
26	800.074	Tension jack
27	800.072	Bolt
28	P497K	Washer DIN 125 A M6 6,4/12/1,6 A2
29	710.417	Ribbed belt 15 PJ 1549
30	800.087	Stop Angle
31	P510M	Shim NFE 25511 M10 10,2/22/2,75 A2
32	P470D	Screw DIN 933 M10 x 25
33	800.078	Cover Plate
34	800.088	86m
35	P489C	Screw DIN 912 M5 x 6 A2
36	800.060	Pulley Assy Complete
37	P344	Shaft sealing ring 25x40x3 EPDM/V2A
38	P513D	Ring DIN 471 25/1,2
40	P498U	Ring DIN 127 B M6 6,1/11,8/1,6 A2
41	P497H	Washer DIN 9021 M6 6,4/18/1,6 A2



<b>Pos.</b>	<b>Item no.</b>	<b>Spare part</b>
42	P472R	Screw DIN 933 M6 x 12 A2

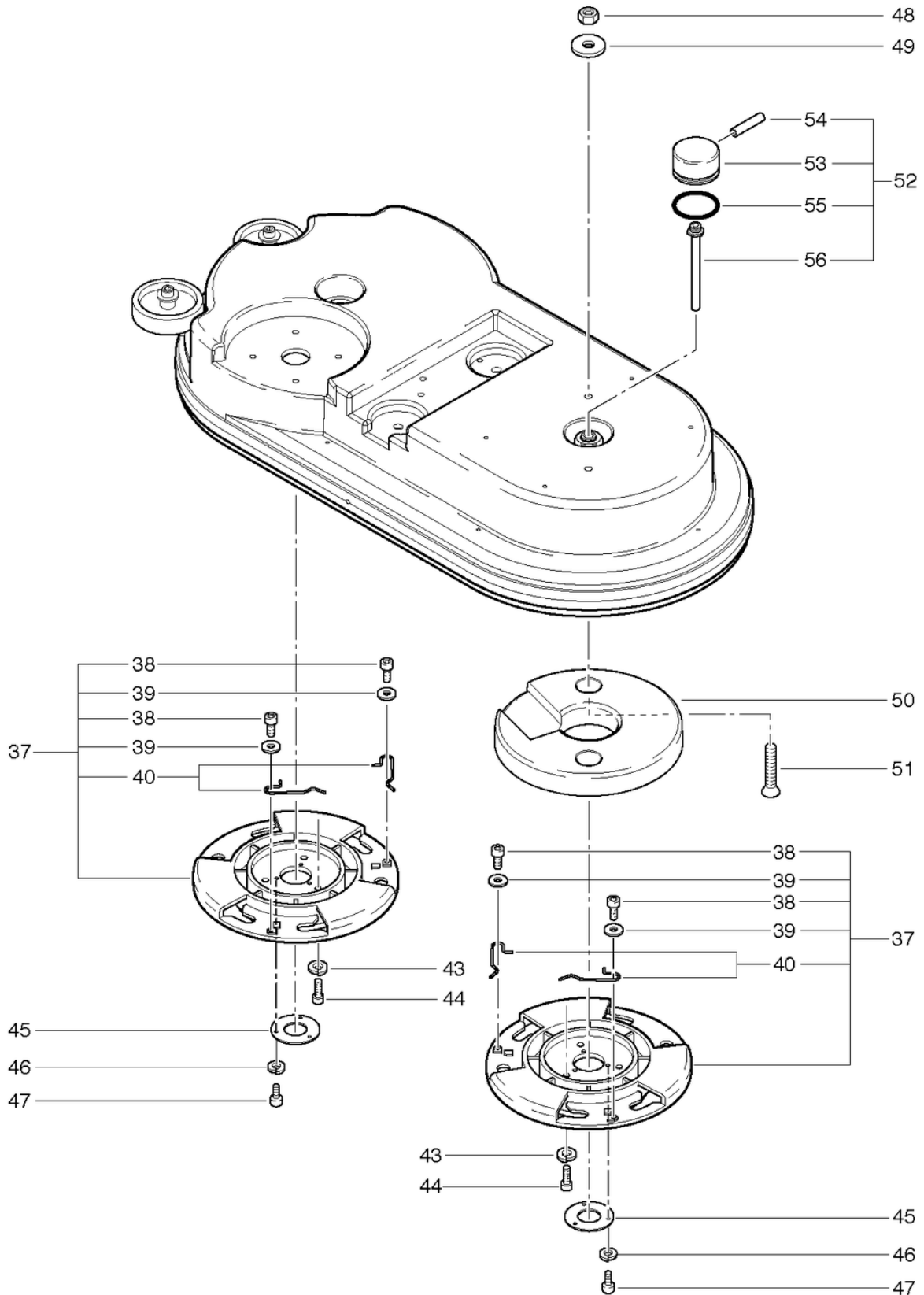
# CLEANFIX RA805

## Brush device-1

PDF created on: 31.10.2023 12:52



RA 800 Sauber



<b>Pos.</b>	<b>Item no.</b>	<b>Spare part</b>
37	710.425	Driving Plate
38	P488E	Screw DIN 912 M5 x 8 A2
39	P496H	Shim DIN 125 A M5 5,3/10/1
40	701.429	Spring RA701B
43	P498U	Ring DIN 127 B M6 6,1/11,8/1,6 A2
44	P488P	Screw DIN 912 M6 x 16 A2
45	710.428	Steel Disc
46	P500E	Ring DIN 127 B M4 4,1/7,6/0,9 A2
47	P488D	Screw DIN 912 M4 x 8
48	P492H	Nut DIN 985 M8 St galvanized
49	P496Q	Shim DIN 9021 M8 8,4/24/2
50	710.415	Washer M6
51	P479P	Screw DIN 7991 M8 x 45 A2
52	710.450	Solution Tube
53	710.451	Adapter
54	710.452	Small hose for adaptor
55	710.453	O Ring
56	701.452	Spray tube

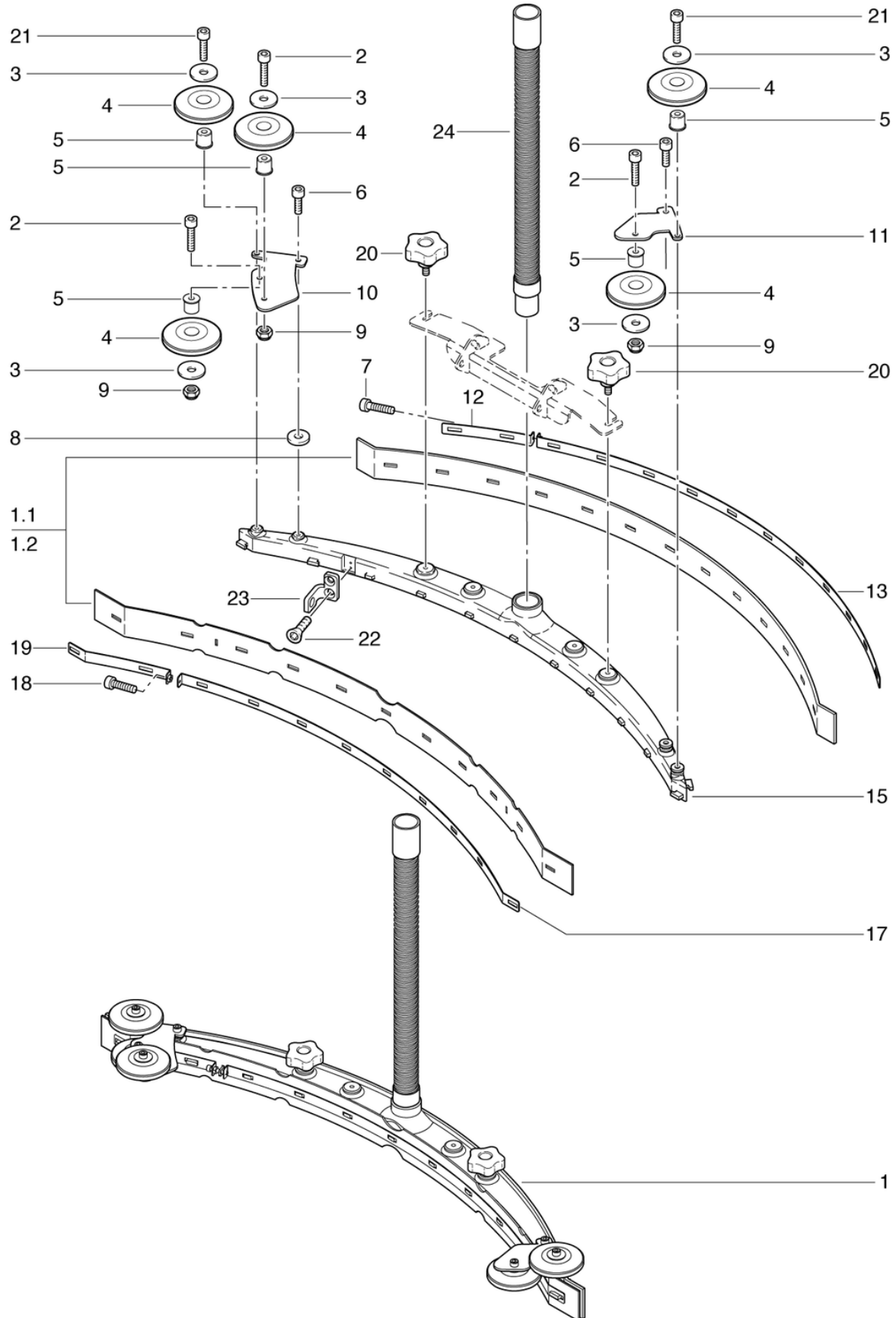
# CLEANFIX RA805

## Suction nozzle

PDF created on: 31.10.2023 12:52



### RA 800/900 Sauber



<b>Pos.</b>	<b>Item no.</b>	<b>Spare part</b>
1.1	800.081	Rubber blade, oil resistant
1.2	800.080LT	Rubber blade, standard
1	800.550	Suction nozzle curved
2	P473D	Screw DIN 912 M8 x 35 A2
3	P500N	Washer DIN 522 M8 8,4/30/1,5 A2
4	800.561	Fender wheel
5	800.423	Bolt
6	P489J	Screw DIN 912 M8 x 20 A2
7	P488K	Screw DIN 912 M5 x 25 A2
8	P495Z	Shim DIN 7349 M8 8,4/21/4 A2
9	P491N	Nut DIN 934 M10 St galvanized
10	800.417	Plate
11	800.418	Plate
12	800.413	Strap
13	800.411	Support Rail
15	800.415	Suction Nozzle Body
17	800.414	Retaining plate in front
18	800.425	Machined screw DIN 912 M6 x 30 A2
19	800.412	Small front retaining plate cpl.
20	P253M	Star grip Ø62 M8 x 18 A2
21	P473C	Screw DIN 912 M8 x 40 A2 with shaft
22	P479A	Screw DIN 965 M4 x 8 A2
23	800.416	Guidance Angle
24	800.580	Suction hose 1.01m cpl.

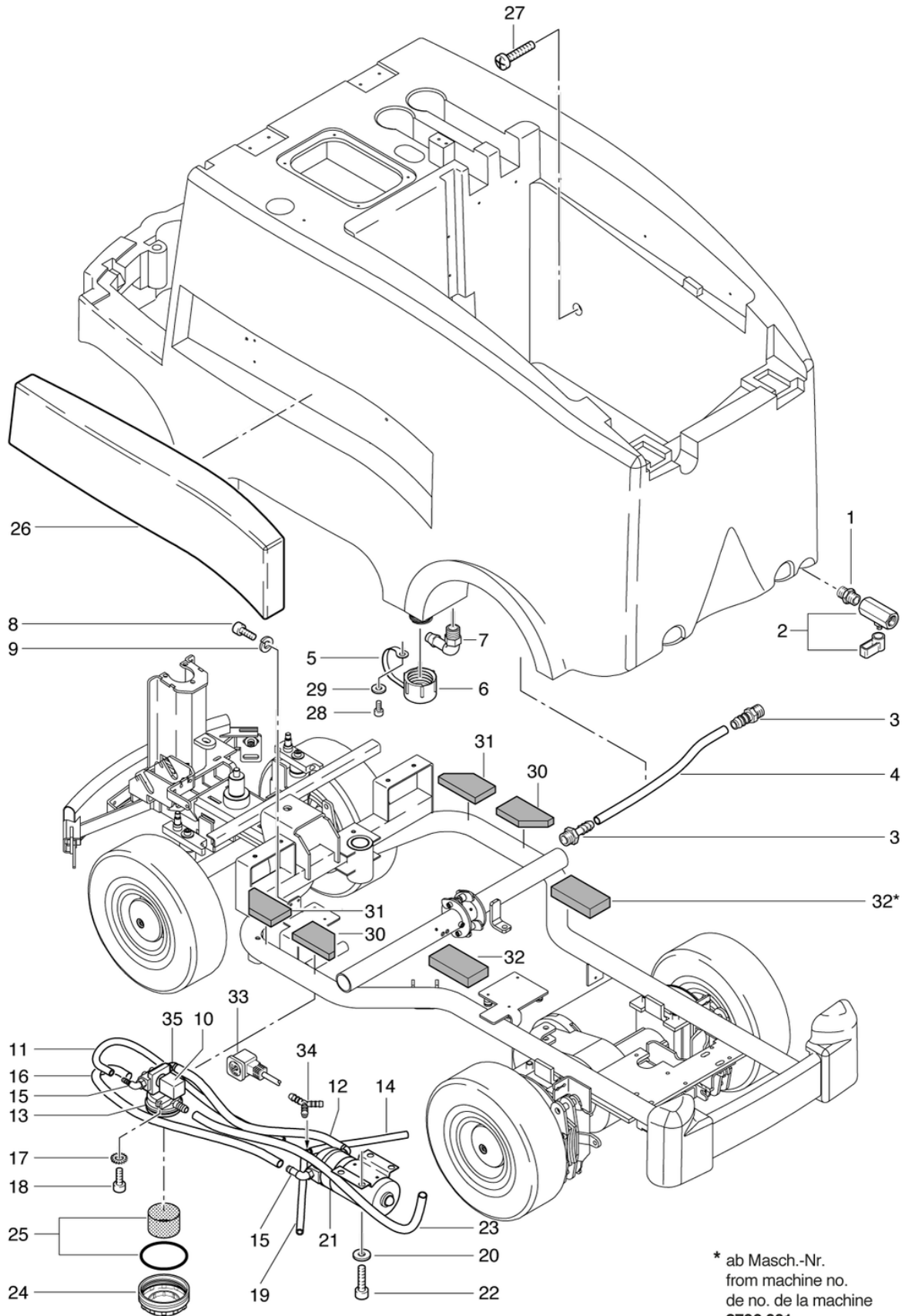
# CLEANFIX RA805

## Waterdistribution

PDF created on: 31.10.2023 12:52



RA 800/900 Sauber



\* ab Masch.-Nr.  
from machine no.  
de no. de la machine  
8736.001

<b>Pos.</b>	<b>Item no.</b>	<b>Spare part</b>
1	P520E	Double nipple G
2	500.355	Solution Valve
3	P540N	Straight nipple GES NW12 / R3 / 8
4	800.048	Connecting hose
5	500.414	Loop for Cover
6	432.110	Cover for Execution
7	P541C	Elbow nipple WES 12 / R1 / 2
8	P488A	Screw DIN 912 M4 x 12 A2
9	P500E	Ring DIN 127 B M4 4,1/7,6/0,9 A2
10	500.291E	2/2-way solenoid valve 24V
11	800.045	Mag Valve Hose
12	432.151	Hose 0.39m (please use 800.043)
13	430.759	Fresh water filter 1/2"-1/2" mesh 40
14	800.047	Sauber 800 Connecting hose
15	P541M	Elbow nipple WES 8 / R3 / 8
16	800.042	Hose water filter
17	P499B	Serrated washer M 4
18	P486A	Screw DIN 912 M4 x 12
19	800.046	RA900 Hose
20	P497E	Shim DIN 9021 M5 5,3/15/1,2 A2
21	P824	Shurflo membrane pump 24V
22	P488I	Screw DIN 912 M5 x 20 A2
23	800.041	Fresh Water Hose
24	430.258	Cover to fresh water filter 1/2" + 3/8"
25	430.759A	Filter Assembly
26	800.470	Side Panel
27	P515N	Screw WN 1452 K50 x 35
28	P497H	Washer DIN 9021 M6 6,4/18/1,6 A2
29	P488P	Screw DIN 912 M6 x 16 A2
30	800.454	Rubber documents
31	800.454A	Rubber documents narrowly
32	800.461	Support for fresh water tank RA800-900
33	800.316	Solenoid Plug
34	P542E	Y-piece 8mm
35	P541D	Elbow nipple WES 12 / R3 / 8 "



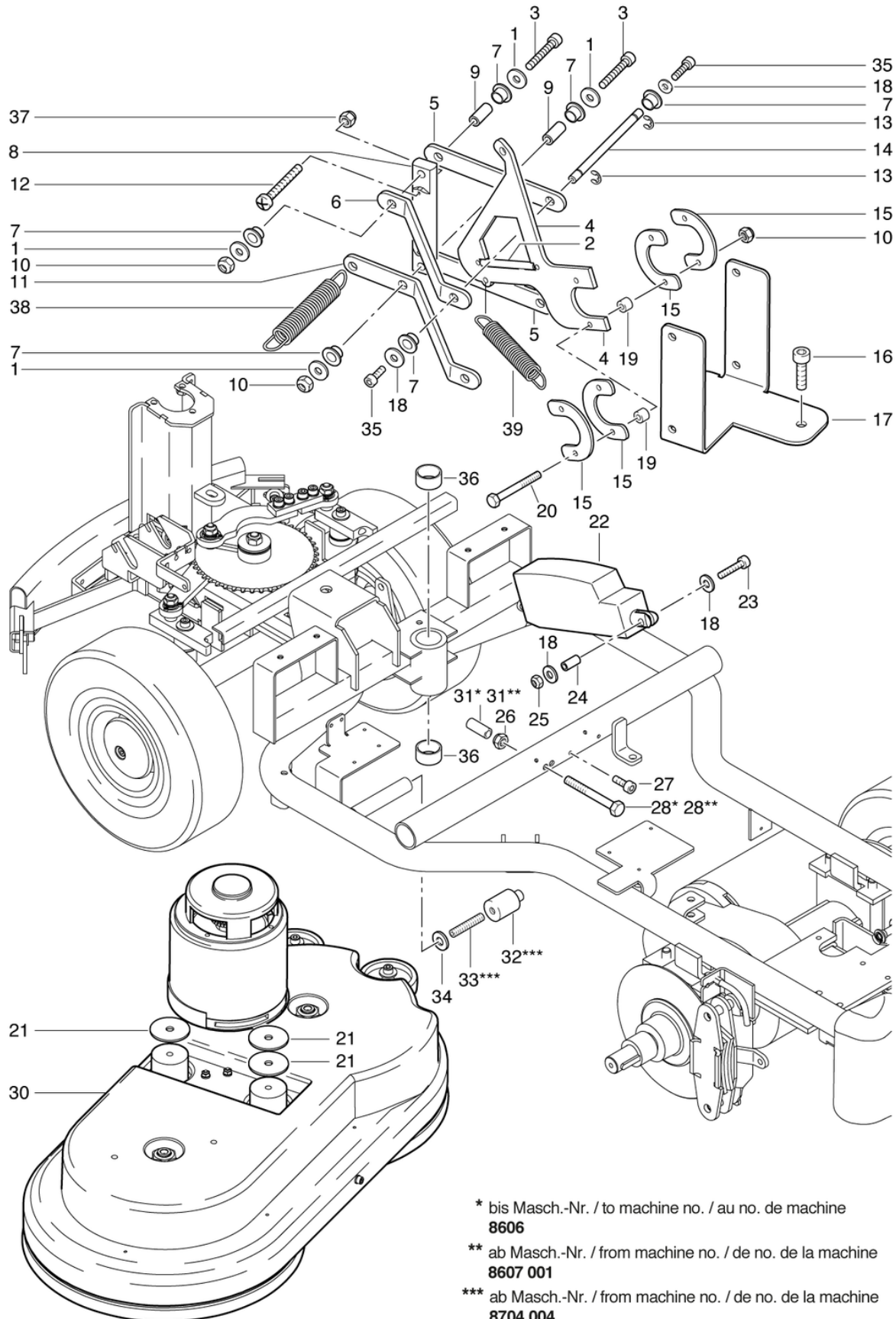
# CLEANFIX RA805

## Adjustment brush device

PDF created on: 31.10.2023 12:52



RA 800 Sauber



\* bis Masch.-Nr. / to machine no. / au no. de machine  
**8606**

\*\* ab Masch.-Nr. / from machine no. / de no. de la machine  
**8607 001**

\*\*\* ab Masch.-Nr. / from machine no. / de no. de la machine  
**8704.004**

<b>Pos.</b>	<b>Item no.</b>	<b>Spare part</b>
1	P496L	Shim DIN 9021 M6 6,4/18/1,6
2	800.215	Castor
3	P486Y	Screw DIN 912 M6 x 40 A2 with shaft
4	800.212	Lever
5	800.213	Lever
6	800.218	Rhomboid rod
7	530.182	Sleeve 10/12/7
8	800.224	Pivot Pins
9	800.211	Bearing Sleeve
10	P493K	Nut DIN 985 M6
11	800.221	Bearing Sleeve
12	P476K	Screw DIN 7985 M4 x 40 A2
13	P500L	Shim DIN 6799 9/18,8/1,1 A2
14	800.219	Shaft Ø10x168
15	800.220	Clip
16	P470D	Screw DIN 933 M10 x 25
17	800.080	Motot-head holder
18	P497E	Shim DIN 9021 M5 5,3/15/1,2 A2
19	800.223	Distance ring ø14/6,5 x 11
20	P470C	Screw DIN 933 M6 x 60
21	P204A	Shim 54/10,5/3
22	800.222	Brush Deck Actuator
23	P488Z	Screw DIN 912 M5 x 30 A2 with shaft
24	800.233	Distance ring ø10/5,5 x 22,5
25	P493G	Nut DIN 985 M5
26	P492H	Nut DIN 985 M8 St galvanized
27	P488P	Screw DIN 912 M6 x 16 A2
28**	P471M	Screw DIN 931 M8 x 65
28*	P473J	Screw DIN 933 M8 x 80 A2
30	800.050	Brush device compl.
31**	800.086	Stop pin
31*	P5660	Protecting cover 35mm to machine Nr. 8606
32	800.084	Stop pin
33	P483	Pin DIN 913 M8 x 40 St galvanisé
34	P495Z	Shim DIN 7349 M8 8,4/21/4 A2
35	P488G	Screw DIN 912 M5 x 16 A2
36	800.159	Permashide sleeve
37	P493D	Stopp-nut DIN 985 M4 A2
38	800.217	Spring
39	800.288	Tension Spring 2,8/20/101,4

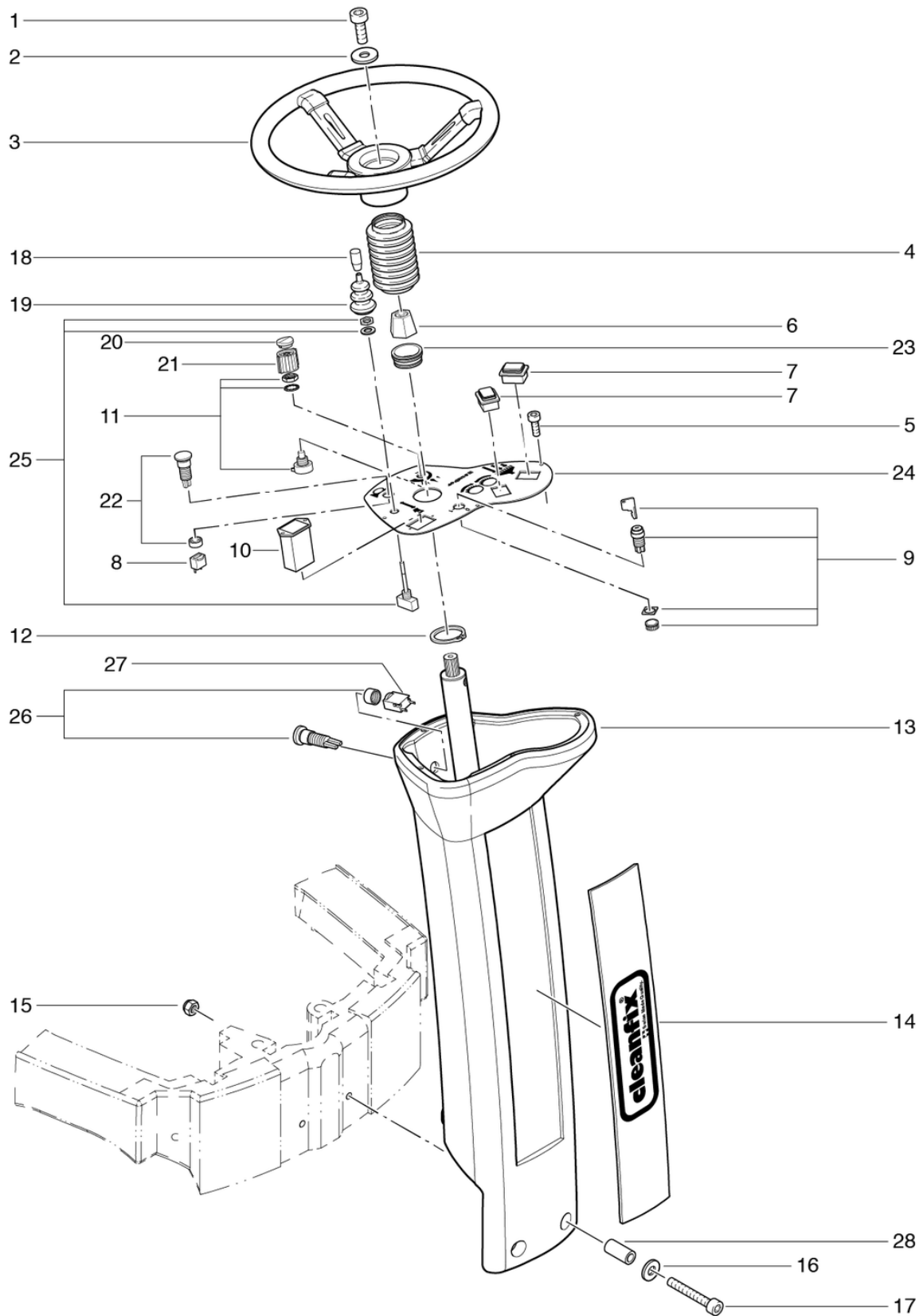
# CLEANFIX RA805

## Steering column up to machine no 9233

PDF created on: 31.10.2023 12:52



RA 800 Sauber



<b>Pos.</b>	<b>Item no.</b>	<b>Spare part</b>
1	P487B	Screw DIN 912 M8 x 20
2	P510L	Washer DIN 522 M6 6,4/25/1,5 A2
3	800.328	Steering Wheel
4	800.327	Bellows
5	P488A	Screw DIN 912 M4 x 12 A2
6	800.330	Cone
7	P241	Rocker switch white 24V
8	800.528	Switch element 1-pole
9	560.361	Key Switch
10	800.708	Battery Indicator
11	560.376	Potentiometer 10 kOhm processed
12	P801J	Ring DIN 471 40/1,75
13	800.500	Steering column red
14	800.501	Cover plate
15	P492H	Nut DIN 985 M8 St galvanized
16	P495Z	Shim DIN 7349 M8 8,4/21/4 A2
17	P489H	Screw DIN 912 M8 x 55 A2 with shaft
18	800.521	Cylinder handle $\varnothing 14 \times 28$
19	800.520	Protective Bellows
20	560.373	Knob Cover
21	560.372	Rotary Button
22	800.527	Sauber Horn Button
23	800.329	Bearing Sleeve
24	800.512	Control Panel
25	800.515	Toggle switch ON-OFF, 1-pole processed
26	800.530	Brake Switch
27	800.531	Switch Element
28	800.457	Distance sleeve $\varnothing 12/9 \times 15$

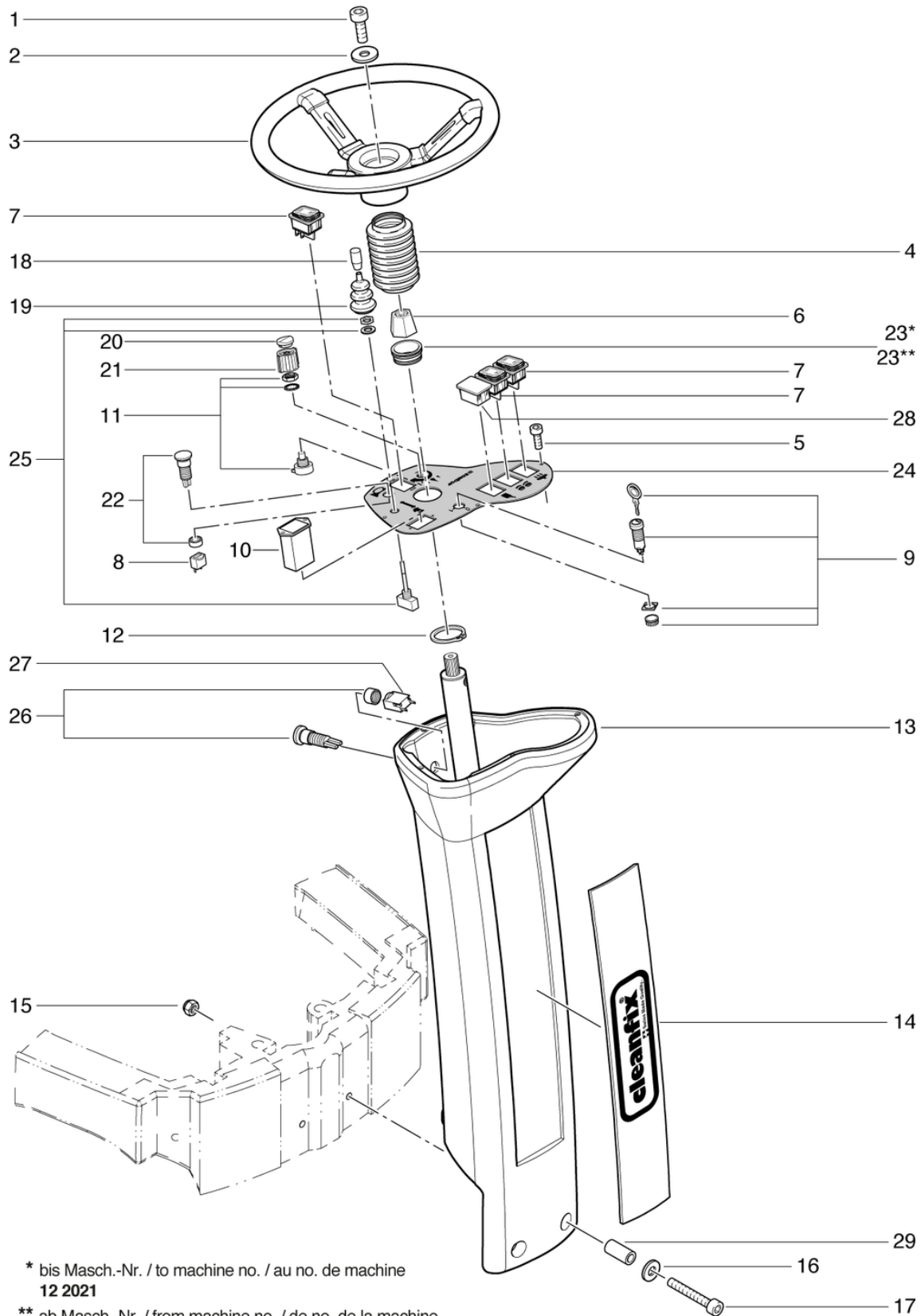
# CLEANFIX RA805

## Steering column as from machine no 9234.001

PDF created on: 31.10.2023 12:52



RA 800 Sauber



\* bis Masch.-Nr. / to machine no. / au no. de machine  
12 2021

\*\* ab Masch.-Nr. / from machine no. / de no. de la machine  
13 2021

<b>Pos.</b>	<b>Item no.</b>	<b>Spare part</b>
1	P487B	Screw DIN 912 M8 x 20
2	P510L	Washer DIN 522 M6 6,4/25/1,5 A2
3	800.328	Steering Wheel
4	800.327	Bellows
5	P488A	Screw DIN 912 M4 x 12 A2
6	800.330	Cone
7	P241	Rocker switch white 24V
8	800.528	Switch element 1-pole
9	P244C	Key switch
10	800.708	Battery Indicator
11	560.376	Potentiometer 10 kOhm processed
12	P801J	Ring DIN 471 40/1,75
13	800.500	Steering column red
14	800.501	Cover plate
15	P492H	Nut DIN 985 M8 St galvanized
16	P495Z	Shim DIN 7349 M8 8,4/21/4 A2
17	P489H	Screw DIN 912 M8 x 55 A2 with shaft
18	800.521	Cylinder handle ø14 x 28
19	800.520	Protective Bellows
20	560.373	Knob Cover
21	560.372	Rotary Button
22	800.527	Sauber Horn Button
23**	800.314	Bearing bush
23*	800.329	Bearing Sleeve
24	800.512	Control Panel
25	800.515	Toggle switch ON-OFF, 1-pole processed
26	800.530	Brake Switch
27	800.531	Switch Element
28	P245	Blank piece
29	800.457	Distance sleeve Ø12/9 x 15

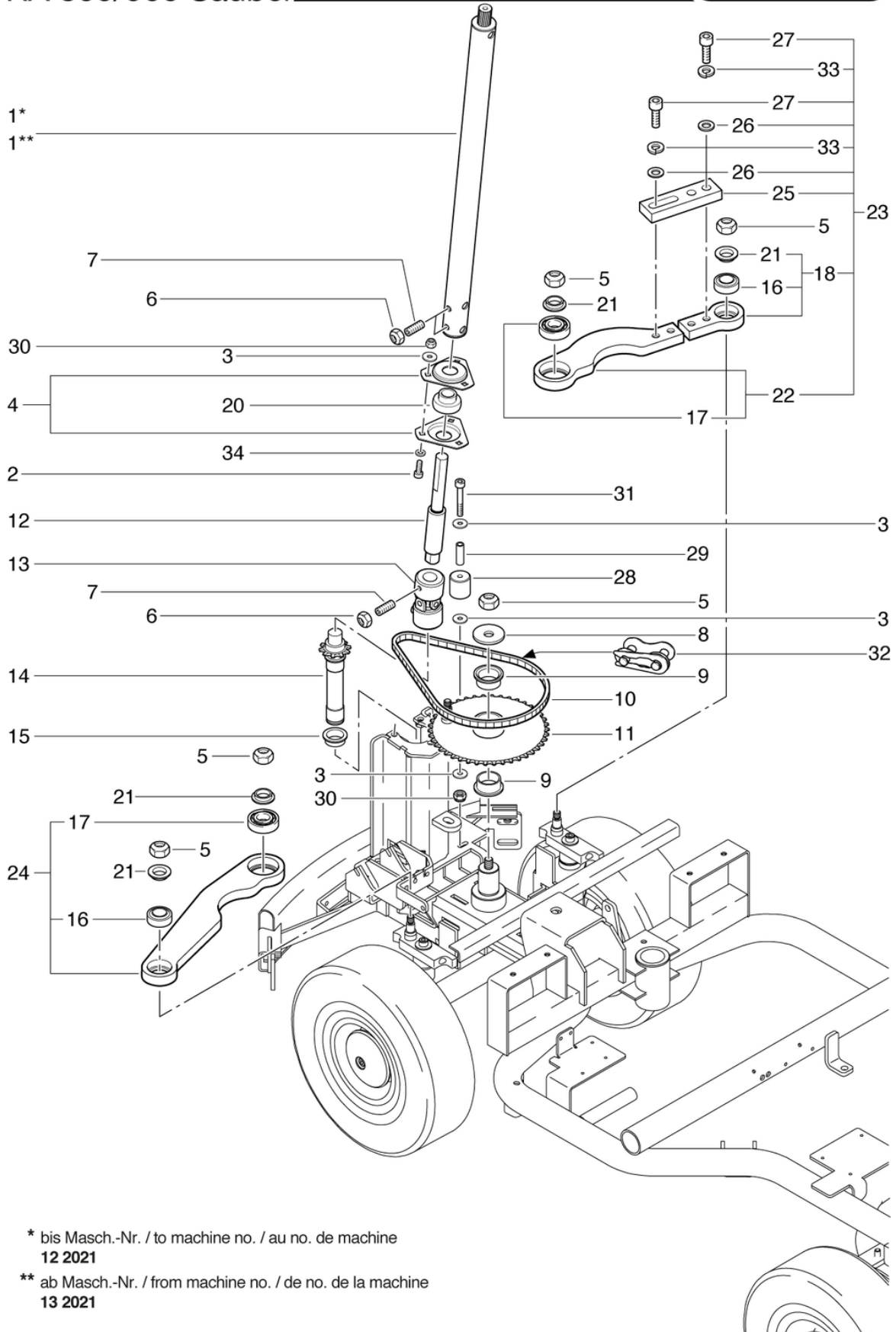
# CLEANFIX RA805

## Steering element

PDF created on: 31.10.2023 12:52



RA 800/900 Sauber



\* bis Masch.-Nr. / to machine no. / au no. de machine  
12 2021

\*\* ab Masch.-Nr. / from machine no. / de no. de la machine  
13 2021



<b>Pos.</b>	<b>Item no.</b>	<b>Spare part</b>
1**	800.313	Steering shaft
1*	800.308	Steering shaft, to machine no. 12 2021
2	P486O	Screw DIN 912 M6 x 18
3	P497H	Washer DIN 9021 M6 6,4/18/1,6 A2
4	800.311	Bearing Housing
5	P492Q	Nut DIN 985 M10
6	P492H	Nut DIN 985 M8 St galvanized
7	P482U	Pin DIN 913 M8 x 20 St Dacromet
8	P500O	Shim DIN 522 13/45/2,5
9	P321A	Permaglide flange socket 30/34/16
10	800.190	Steering chain 1/2 x 3/16
11	800.201	Steering Sprocket
12	800.309	Steering Column Spindle
13	800.315	Universal Joint
14	800.305	Bearing Column
15	P321C	Permaglide flange socket 25/28 / 11.5
16	P325	Bearing link GE12 UK 12/22 x 7
17	P316C	Deep groove ball bearing 6001 2RS ø28 / 12 x 8
18	800.169B	Bearing head right, processed
20	800.312	Y bearing
21	800.187	Distance Sleeve (Steering Rod)
22	800.169A	Handlebar right processed
23	800.169	Steering Rod Right
24	800.168	Steering Rod Left
25	800.170	Fish-plate
26	P496P	Washer DIN 125 A M8 8,4/16/1,6 A2
27	P487D	Screw DIN 912 M8 x 25
28	800.192	Slide Block
29	800.211	Bearing Sleeve
30	P493K	Nut DIN 985 M6
31	P488U	Screw DIN 912 M6 x 45 A2K with shaft
32	800.191	Link 1/2 x 3/16
33	P498N	Ring DIN 127 B M8 8,1/14,8/2
34	P497K	Washer DIN 125 A M6 6,4/12/1,6 A2

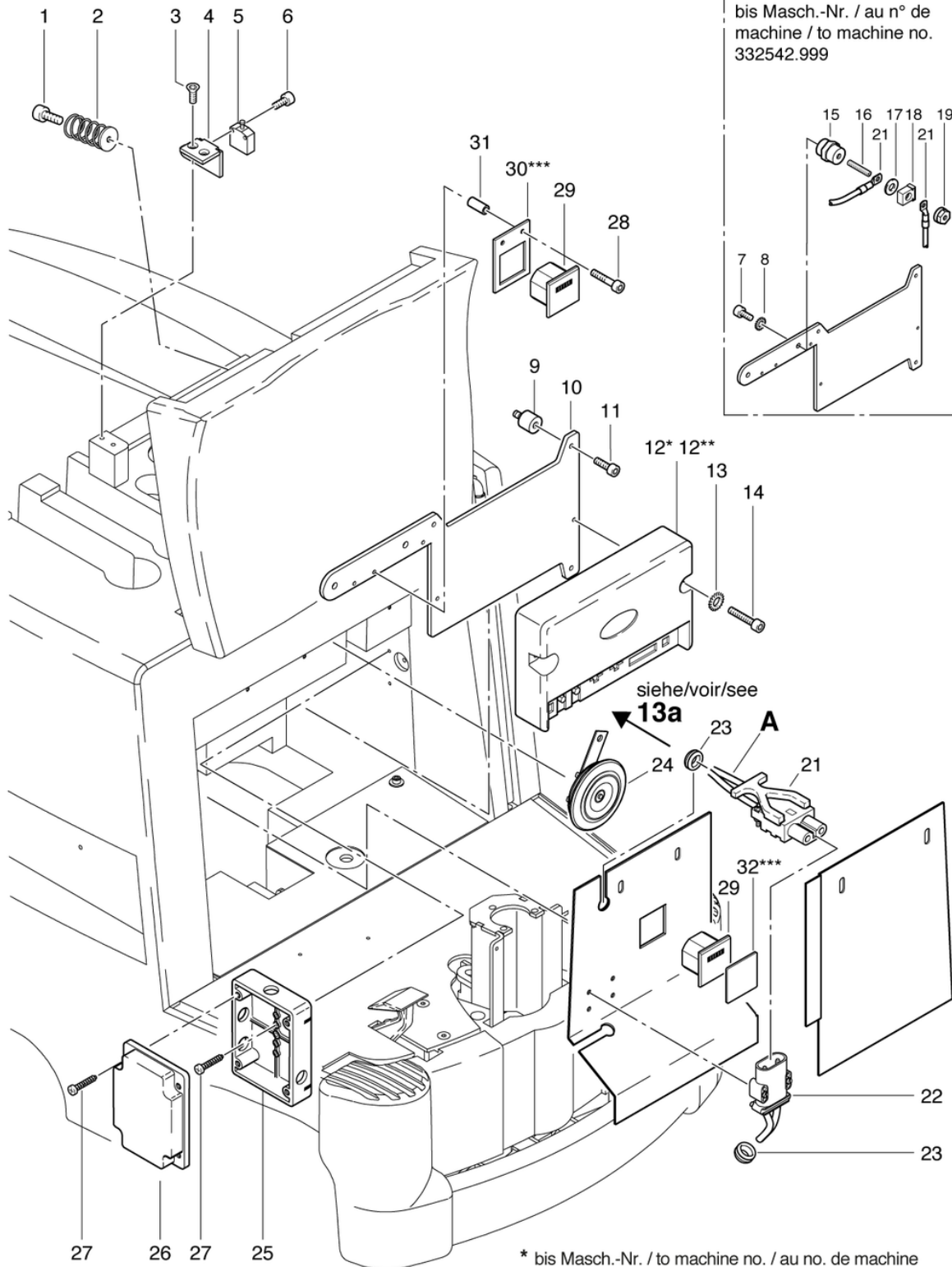
# CLEANFIX RA805

## Electronic

PDF created on: 31.10.2023 12:52



RA 800/900 Sauber



bis Masch.-Nr. / au n° de machine / to machine no. 332542.999

- \* bis Masch.-Nr. / to machine no. / au no. de machine 02 2021
- \*\* ab Masch.-Nr. / from machine no. / de no. de la machine 03 2021
- \*\*\* bis Masch.-Nr. / to machine no. / au no. de machine 8733-001

<b>Pos.</b>	<b>Item no.</b>	<b>Spare part</b>
1	P489I	Screw DIN 912 M8 x 16 A2
2	800.484	Compression spring 2.2 / 8.6-27.57 / 49
3	P487W	Screw DIN 7991 M6 x 16 A2
4	800.478	Holder for pull rope
5	710.323	Safety Switch
6	P486B	Screw DIN 912 M4 x 16
7	P488X	Screw DIN 7984 M8 x 12 galvanized
8	P499F	fan-shaped shim shape A M8/8,2/14
9	500.499	Round Buffer M6 x 8,5, ø20 x 15 mm
10	800.709	Owner control
11	P486Q	Screw DIN 912 M6 x 12 A2
12**	800.707B	Trio + Controller 150A cpl.
12*	800.707A	Trio + Controller 150A cpl.
13	P498D	Washer DIN 6798 M5 5,1/9/0,5 A2
14	P488K	Screw DIN 912 M5 x 25 A2
15	P366A	Support isolation M 8
16	P483	Pin DIN 913 M8 x 40 St galvanisé
17	P496P	Washer DIN 125 A M8 8,4/16/1,6 A2
18	800.704	Fuse link CF8, 125A
19	710.353	Insulating Nut
21	800.715	Cable Loop Socket
22	910.716	Cable LoopCharge Plug
23	P207A	Grommet
24	800.535	Horn
25	P379	Terminal box lower part
26	P379A	Terminal box cover
27	P516S	Screw WN 1452 K30 x 14
28	P486N	Screw DIN 912 M5 x 40 with shaft
29	800.703	Hour Meter
30	800.702	Holding plate hour meter
31	P509F	Distance piece 5.2x10x10
32	800.701	Blanking cover hour meter

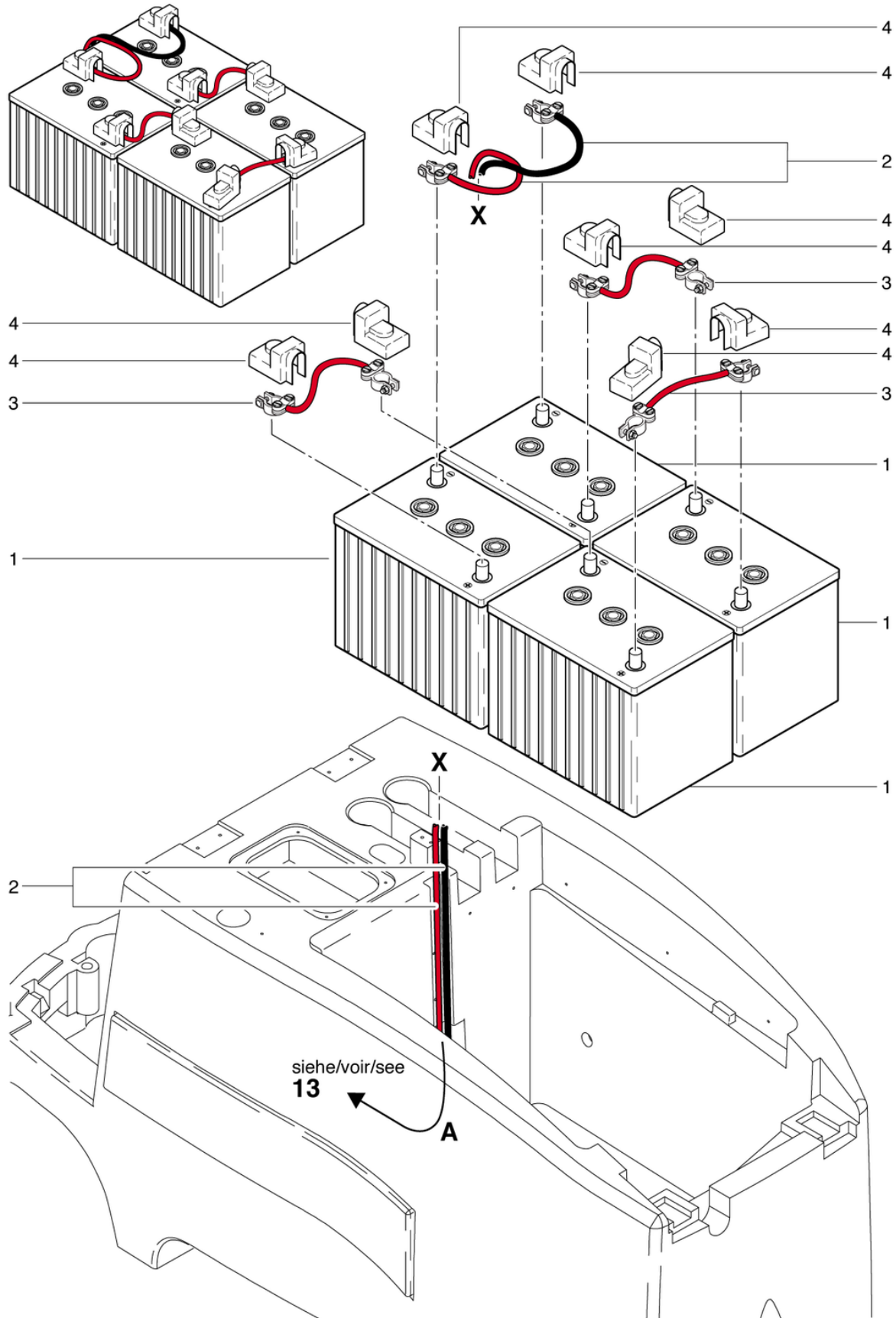
# CLEANFIX RA805

## Batterie assembling

PDF created on: 31.10.2023 12:52



RA 800/900 Sauber



<b>Pos.</b>	<b>Item no.</b>	<b>Spare part</b>
1	800.091	4 gel batteries of 6 V / 240 Ah
2	800.719	Cable harness suction motor-electronic
3	560.995	Battery connection wire 10mm <sup>2</sup> , L = 0.2m
4	P357D	Pole cover for end conductor A-pol

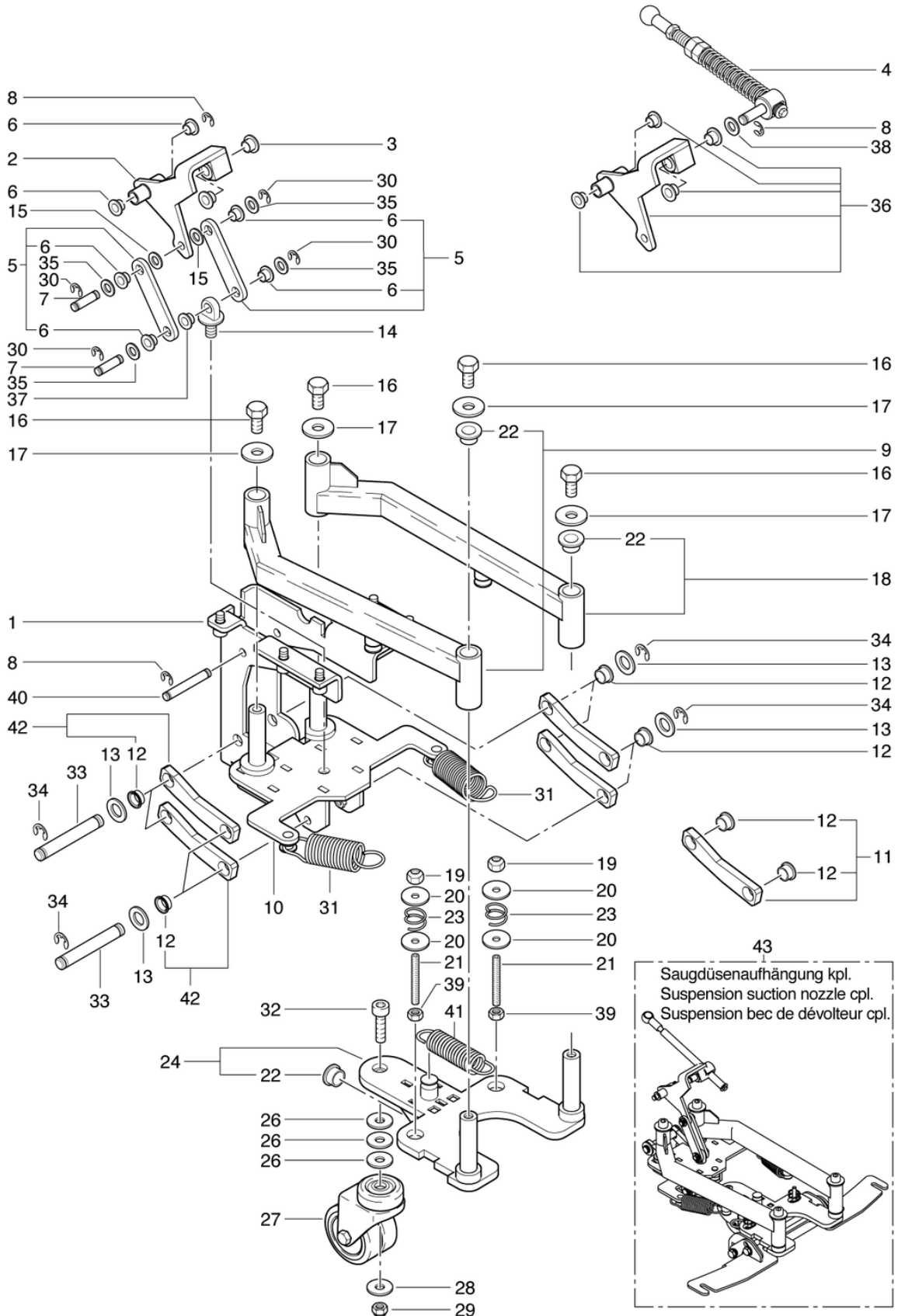
# CLEANFIX RA805

## Suspension suction nozzle

PDF created on: 31.10.2023 12:52



RA 800/900 Sauber



43  
 Saugdüsenaufhängung kpl.  
 Suspension suction nozzle cpl.  
 Suspension bec de dévoluteur cpl.

<b>Pos.</b>	<b>Item no.</b>	<b>Spare part</b>
1	800.152	Nozzle Support
2	800.271	Lever
3	530.182	Sleeve 10/12/7
4	800.265	Rod cpl.
5	800.285	Connecting Loop
6	P321D	Permaglide flange socket 8/10 / 5.5
7	800.292	Axle
8	P500K	Washer DIN 6799 6/12/0,7 A2
9	800.295K	Swivel tube left cpl.
10	800.280	Mounting Plate Complete
11	800.277	Strut cpl. right
12	P321F	Permaglide flange socket 12/14/7
13	P497S	Shim DIN 9021 M12 13/20/2 A2
14	800.284	Articulation Cone
15	P496P	Washer DIN 125 A M8 8,4/16/1,6 A2
16	P472W	Screw DIN 933 M10 x 16 A2
17	P510M	Shim NFE 25511 M10 10,2/22/2,75 A2
18	800.296K	Turnpipe Right
19	P493K	Nut DIN 985 M6
20	P510L	Washer DIN 522 M6 6,4/25/1,5 A2
21	P489M	Pin DIN 913 M6 x 60 St galvanized
22	800.289	Permaglide Sleeve
23	P809E	Piston compression spring
24	800.297	Swivel plate cpl. with sockets
26	P497T	Shim DIN 9021 M8 8,4/24/2 A2
27	P205D	Double caster Ø50mm
29	P492H	Nut DIN 985 M8 St galvanized
30	P513P	Shim DIN 6799 7
31	800.287	Mainspring 2.5 / 25.5 / 79.3
32	P487ZA	Screw DIN 7984 M8 x 35 galvanized
33	800.279	Pivot Pin
34	P500L	Shim DIN 6799 9/18,8/1,1 A2
35	P496j	Shim DIN 522 M8 8,4/20/1,2
36	800.270	Lift lever to lift the nozzle
37	383.140	Brush Link
38	P500S	Shim DIN 433 M10 10,5/18/1,6 A2
39	P490D	Nut DIN 934 M6
40	800.275	Axle
41	800.293	Spring 2,5/20/86
42	800.274	Rod Left
43	800.260	Suspension



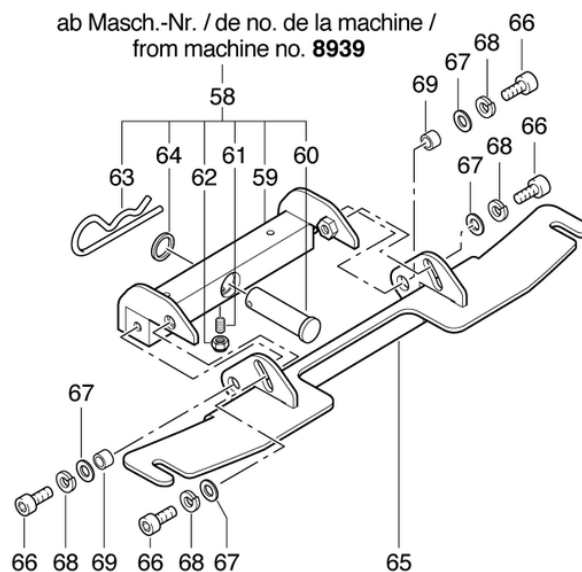
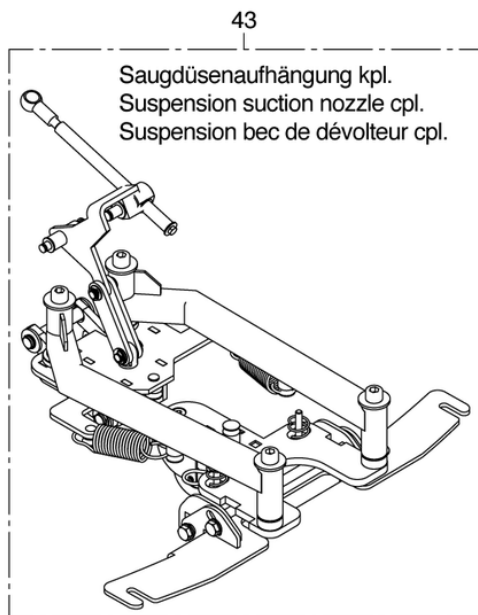
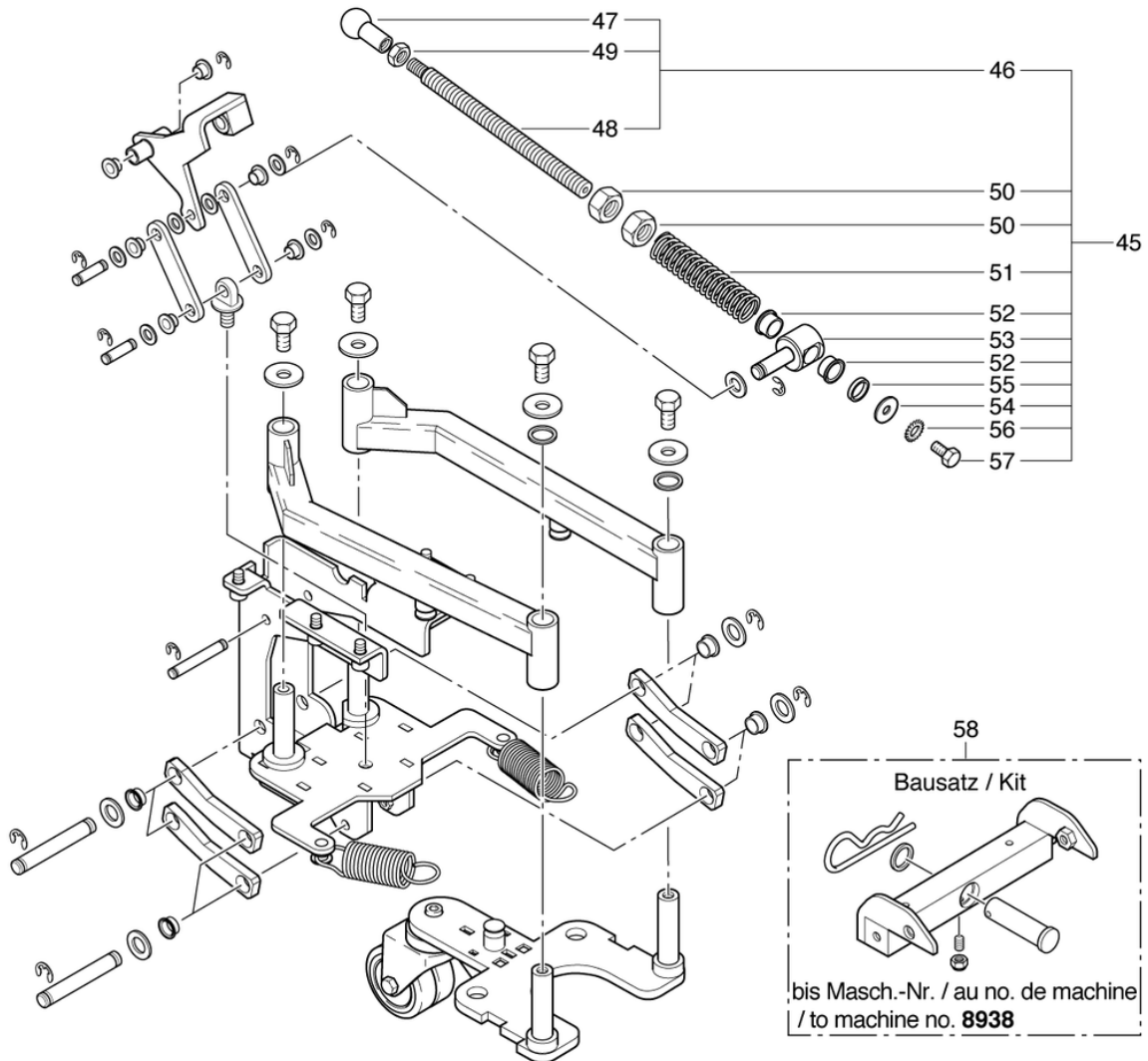
# CLEANFIX RA805

## Suspension suction nozzle-a

PDF created on: 31.10.2023 12:52



RA 800/900 Sauber



<b>Pos.</b>	<b>Item no.</b>	<b>Spare part</b>
43	800.260	Suspension
45	800.265	Rod cpl.
46	800.261	Lift rod
47	P512C	Ball cup DIN 71805 A13 M8
48	800.262	Lift rod
49	P490E	Nut DIN 934 M8
50	P490G	Nut DIN DIN 934 M12
51	800.290	Compression spring 2.5 / 18.5 / 88
52	P321F	Permaglide flange socket 12/14/7
53	800.273	Guide Pin
54	P497E	Shim DIN 9021 M5 5,3/15/1,2 A2
55	800.291	Distance ring
56	P498D	Washer DIN 6798 M5 5,1/9/0,5 A2
57	P472E	Screw DIN 933 M5 x 10 A2
58	800.427	Nozzle Holder complete
59	800.427A	Nozzle Holder (USE 800.427)
60	800.426	Pin
61	P480ZA	Grub screw DIN 916 M6 x 12
62	P493K	Nut DIN 985 M6
63	P511D	Spring clip BN 915 3/16/62
64	P496AB	Ring BN 739 16/22/2
65	800.430	Nozzle Support Angle
66	P487B	Screw DIN 912 M8 x 20
67	P496J	Shim DIN 522 M8 8,4/20/1,2
68	P498N	Ring DIN 127 B M8 8,1/14,8/2
69	710.528	Bush

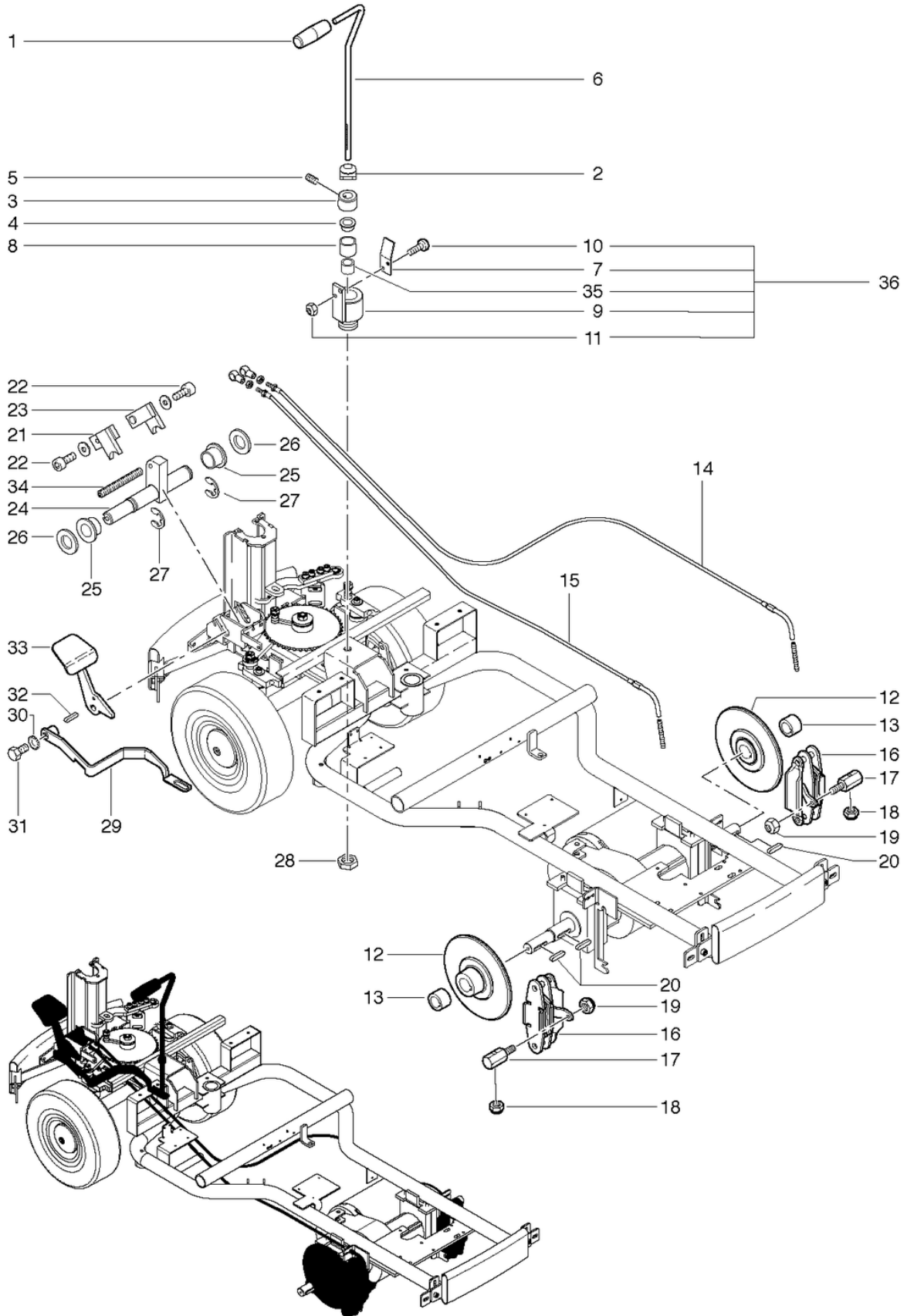
# CLEANFIX RA805

## Brake system

PDF created on: 31.10.2023 12:52



RA 800/900 Sauber



<b>Pos.</b>	<b>Item no.</b>	<b>Spare part</b>
1	P085H	Control bar
2	800.172	Stop
3	P329	Ring DIN 705 A 12/22/12
4	800.154	Sleeve 20x12x10
5	P481C	Pin DIN 913 M6 x 6
6	800.240	Handbrake Lever
7	800.238	Clip plate
9	800.239	Handbrake Adjuster
10	P475B	Screw DIN 85 A M3 x 12
11	P493C	Nut DIN 985 M3 A2
12	800.226	Brake Disc Complete
13	800.173	Distance ring ø29/25,2 x 30
14	800.335	Bowden cable right cpl. 1509mm
15	800.338	Bowden cable left cpl. 1363mm
16	800.225	Brake Shoe
17	800.333	Holding Plate Brake Caliper
18	P492K	Nut DIN 985 M6 A2
19	P492H	Nut DIN 985 M8 St galvanized
20	P474D	Wedge DIN 6885 A 8/7/40
21	800.241	Swing cone
22	P486H	Screw DIN 7984 M6 x 35 galvanized
23	800.242	Adherence
24	800.230	Break Lever
25	800.231	Apron
26	P500R	Shim DIN 433 M16 17/28/2,5
27	P513Z	Shim DIN 6799 5/11,3/0,7
28	P535B	Nut 3/8 Ms
29	800.237	Control lever to emergency brake
30	P498J	Shim DIN 6797 M6 6,4/11/0,7 A2
31	P472R	Screw DIN 933 M6 x 12 A2
32	P513Q	Wedge DIN 6885 A 5/5/32 St galvanized
33	800.235	Footbrake Lever
34	P513N	Pin DIN 913 M6 x 45 St galvanized
35	P321	Permaglide flange socket 12/14/12
36	800.243	Locking Complete

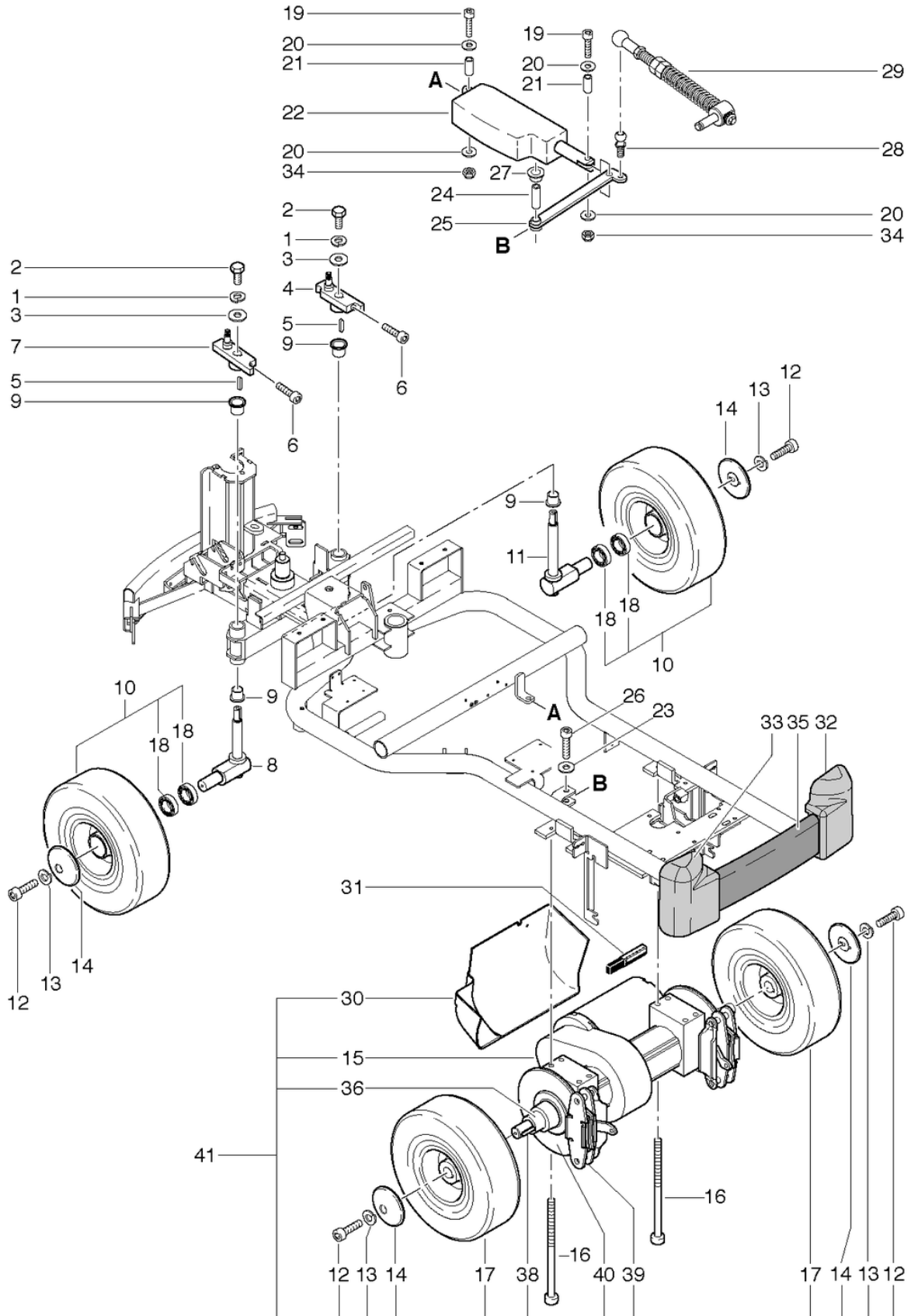
# CLEANFIX RA805

## Drive unit for wheel support

PDF created on: 31.10.2023 12:52



RA 800/900 Sauber



Pos.	Item no.	Spare part
1	P498N	Ring DIN 127 B M8 8,1/14,8/2
2	P472V	Screw DIN 933 M8 x 16 A2
3	P497T	Shim DIN 9021 M8 8,4/24/2 A2
4	800.164	steering blade right
5	P474E	Wedge DIN 6885 A 5/5/25
6	P488I	Screw DIN 912 M5 x 20 A2
7	800.162	Steering Blade Left
8	800.160	Axis Blade Left
9	800.158	Permaglide collar bush 20/23 / 21.5
10	800.165	Front Wheel
11	800.161	Axis Blade Right
12	P487D	Screw DIN 912 M8 x 25
14	800.175	Wheel Cover Red for RA 900 Sauber
15	800.156A	DO NOT USE - USE 800.156
16	P489L	Screw DIN 912 M8 x 140
17	800.157	Rear Wheel
18	P316V	Deep groove ball bearing 6005 2RS $\varnothing$ 47 / 25 x 12
19	P488Z	Screw DIN 912 M5 x 30 A2 with shaft
20	P497E	Shim DIN 9021 M5 5,3/15/1,2 A2
21	800.233	Distance ring $\varnothing$ 10/5,5 x 22,5
22	800.245	Lift Ram
23	P497H	Washer DIN 9021 M6 6,4/18/1,6 A2
24	800.255	Distance ring $\varnothing$ 10/6,1 x 30
25	800.254	Lever
26	P486Y	Screw DIN 912 M6 x 40 A2 with shaft
27	530.182	Sleeve 10/12/7
28	P512D	Ball pin DIN 71803 C13 M8 SW11
29	800.265	Rod cpl.
30	800.511	Engine Boarding
31	800.156KB	Carbon Brush Set
32	800.370	Rear Left Bumper
33	800.375	Bumper corner back left
34	P493G	Nut DIN 985 M5
35	800.347	Rear Bumper Assy
36	800.173	Distance ring $\varnothing$ 29/25,2 x 30
38	P474D	Wedge DIN 6885 A 8/7/40
39	800.225	Brake Shoe
40	800.226	Brake Disc Complete
41	800.155	Drive Motor

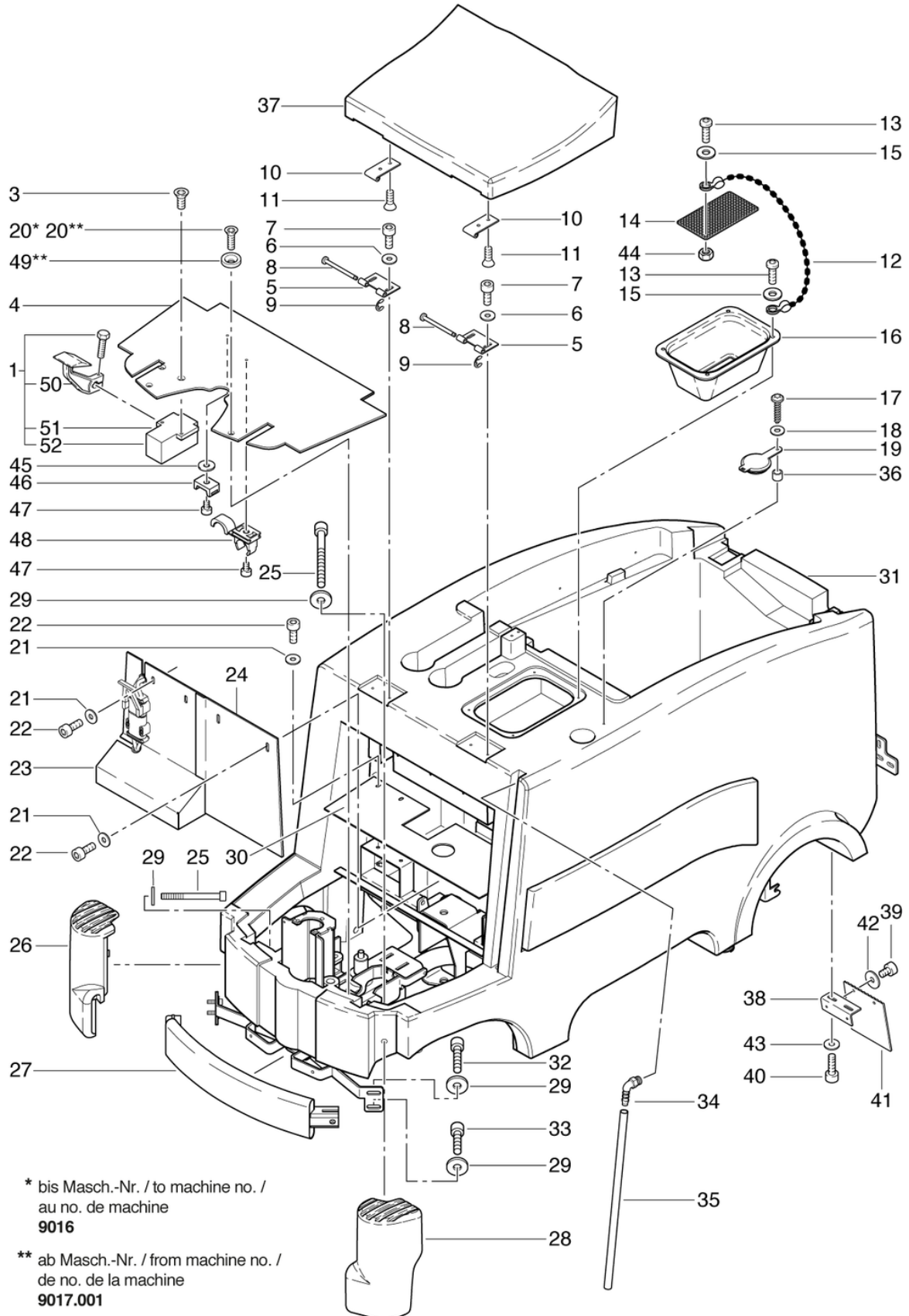
# CLEANFIX RA805

## Clean water tank up to machine no 9215.008

PDF created on: 31.10.2023 12:52



RA 800 Sauber



\* bis Masch.-Nr. / to machine no. /  
au no. de machine  
**9016**

\*\* ab Masch.-Nr. / from machine no. /  
de no. de la machine  
**9017.001**

<b>Pos.</b>	<b>Item no.</b>	<b>Spare part</b>
1	800.710	Foot Pedal Assy
3	P479R	Screw DIN 7991 M8 x 12
4	800.490	Bottom plate
5	800.477	Hinge front
6	P496V	Shim DIN 125 A M6 6,4/12/1,6 Ms
7	P488P	Screw DIN 912 M6 x 16 A2
8	800.488	Spindle for seathing
9	P513Z	Shim DIN 6799 5/11,3/0,7
10	800.489	Hinge for seat cushion
11	P487U	Screw DIN 7991 M6 x 12
12	060.105	Chain
13	P481L	Panhead screw ISO 7380-2 M5 x 10 A2
14	800.497	Grill
15	P497G	Washer DIN 125 A M5 5,3/10/1 A2
16	800.496	Funnel Tube
17	P483O	Screw DIN 7981 TX25 C 4,8 x 19 A2
18	P497C	Washer DIN 9021-A M4 4,3/12/1 A2
19	800.465	Cover
20**	P487WA	Screw DIN 7991 M6 x 18
20*	P487W	Screw DIN 7991 M6 x 16 A2
21	P497H	Washer DIN 9021 M6 6,4/18/1,6 A2
22	P486R	Screw DIN 912 M6 x 16
23	800.493	Rear panel right
24	800.492	Rear panel left
25	P472X	Screw DIN 912 M8 x 100 with shaft
26	800.360	Corner Bumper - Front Right
27	800.345	Bumper Complete
28	800.365	Corner Bumper - Front Left
29	P495Z	Shim DIN 7349 M8 8,4/21/4 A2
30	800.494	Cover plate
31	800.450	Tank Sauber 900
32	P487I	Screw DIN 912 M8 x 40
33	P488V	Screw DIN 912 M8 x 30 A2K
34	P541D	Elbow nipple WES 12 / R3 / 8 "
35	800.452	Level Indicator
36	430.618	Distance ring $\varnothing$ 7/5 x 5,5
37	800.486	Seat RA800
38	800.473	Support Angle
39	P475P	Screw DIN 85 A M6 x 8
41	800.626	Mud Flap
42	P510L	Washer DIN 522 M6 6,4/25/1,5 A2



<b>Pos.</b>	<b>Item no.</b>	<b>Spare part</b>
44	P493G	Nut DIN 985 M5
45	P497E	Shim DIN 9021 M5 5,3/15/1,2 A2
46	125.111	Cable tie holder
47	P489C	Screw DIN 912 M5 x 6 A2
48	P571F	PMA Clip NW 12
49	P500Q	Washer SN 213912 M6 18/4,8
50	800.003	Foot Pedal
51	800.004	Microswitch
52	800.005	Potentionmeter

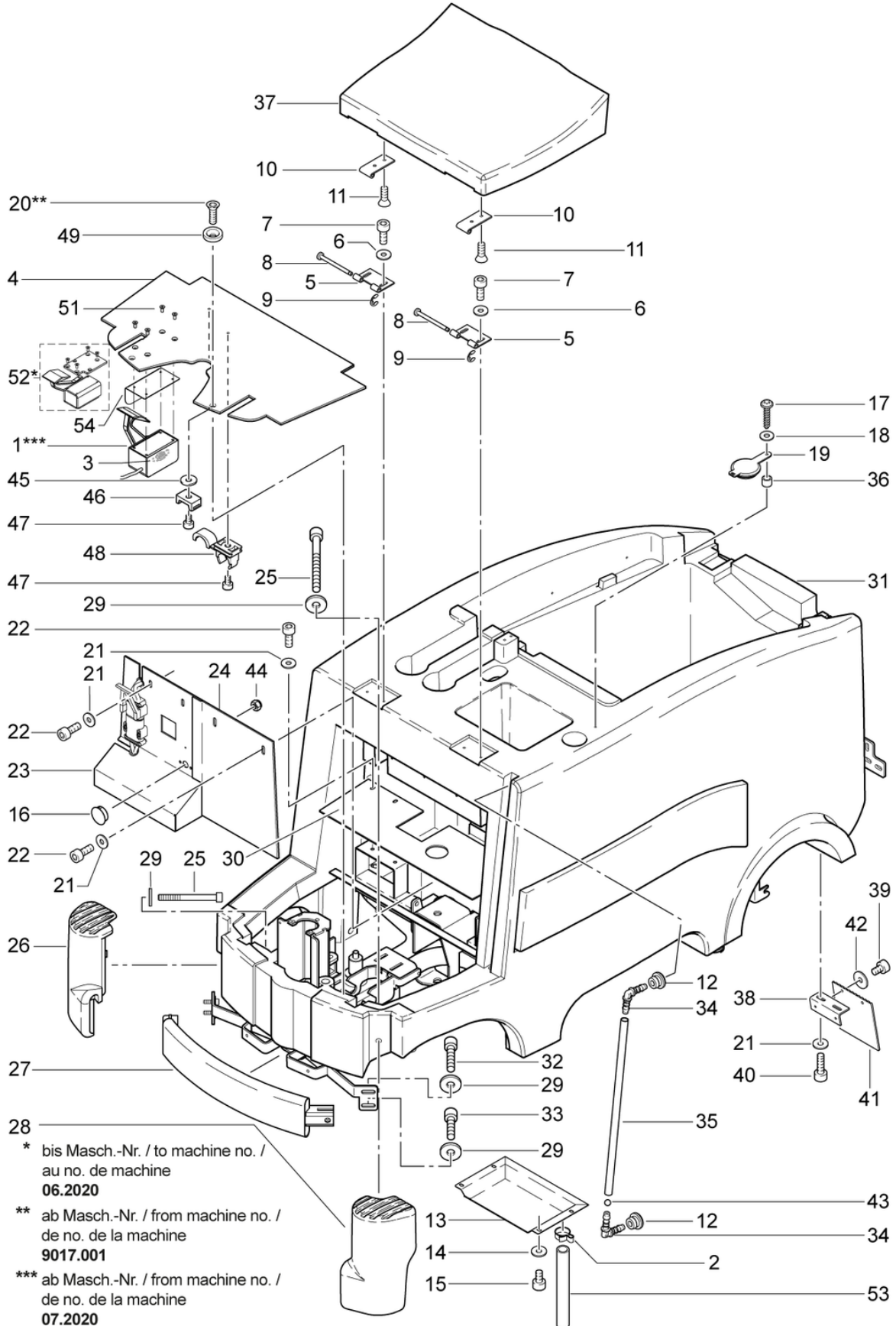
# CLEANFIX RA805

## Clean water tank as from machine no 9216.001

PDF created on: 31.10.2023 12:52



RA 800 Sauber



\* bis Masch.-Nr. / to machine no. /  
au no. de machine  
**06.2020**

\*\* ab Masch.-Nr. / from machine no. /  
de no. de la machine  
**9017.001**

\*\*\* ab Masch.-Nr. / from machine no. /  
de no. de la machine  
**07.2020**

Pos.	Item no.	Spare part
1	800.723	Foot Pedal Assy
2	P550N	Hose clamp 19.8-706R
3	800.003A	Pedal spring
4	800.490	Bottom plate
5	800.477	Hinge front
6	P496V	Shim DIN 125 A M6 6,4/12/1,6 Ms
7	P488P	Screw DIN 912 M6 x 16 A2
8	800.488	Spindle for seathing
9	P513Z	Shim DIN 6799 5/11,3/0,7
10	800.489	Hinge for seat cushion
11	P487U	Screw DIN 7991 M6 x 12
12	P019	Sealing collar
13	800.448	Support plate
14	P497K	Washer DIN 125 A M6 6,4/12/1,6 A2
15	P486YD	Screw DIN 912 M6 x 8 A2
16	P171L	Cover black $\varnothing 15,9/18,2 \times 10,3$
17	P483O	Screw DIN 7981 TX25 C 4,8 x 19 A2
18	P497C	Washer DIN 9021-A M4 4,3/12/1 A2
19	800.465	Cover
20	P487WA	Screw DIN 7991 M6 x 18
21	P497H	Washer DIN 9021 M6 6,4/18/1,6 A2
22	P486R	Screw DIN 912 M6 x 16
23	800.493	Rear panel right
24	800.492	Rear panel left
25	P472X	Screw DIN 912 M8 x 100 with shaft
26	800.360	Corner Bumper - Front Right
27	800.345	Bumper Complete
28	800.365	Corner Bumper - Front Left
29	P495Z	Shim DIN 7349 M8 8,4/21/4 A2
30	800.494	Cover plate
31	800.450	Tank Sauber 900
32	P487I	Screw DIN 912 M8 x 40
33	P488V	Screw DIN 912 M8 x 30 A2K
34	P541O	Elbow nipple WES 6 $\varnothing 6.4 / \varnothing 4.75$
35	800.452A	Level indicator 415mm
36	430.618	Distance ring $\varnothing 7/5 \times 5,5$
37	800.486	Seat RA800
38	800.473	Support Angle
39	P475P	Screw DIN 85 A M6 x 8
41	800.626	Mud Flap
42	P510L	Washer DIN 522 M6 6,4/25/1,5 A2

<b>Pos.</b>	<b>Item no.</b>	<b>Spare part</b>
43	P469C	Ball Ø7mm
44	P493D	Stopp-nut DIN 985 M4 A2
45	P497E	Shim DIN 9021 M5 5,3/15/1,2 A2
46	125.111	Cable tie holder
47	P489C	Screw DIN 912 M5 x 6 A2
48	P571F	PMA Clip NW 12
49	P500Q	Washer SN 213912 M6 18/4,8
51	P517GA	Screw ISO 14581 M5 x 12
52	800.722	Spare part KIT Pedal RA500 / 800/900
53	432.151A	Hose 0,46 m

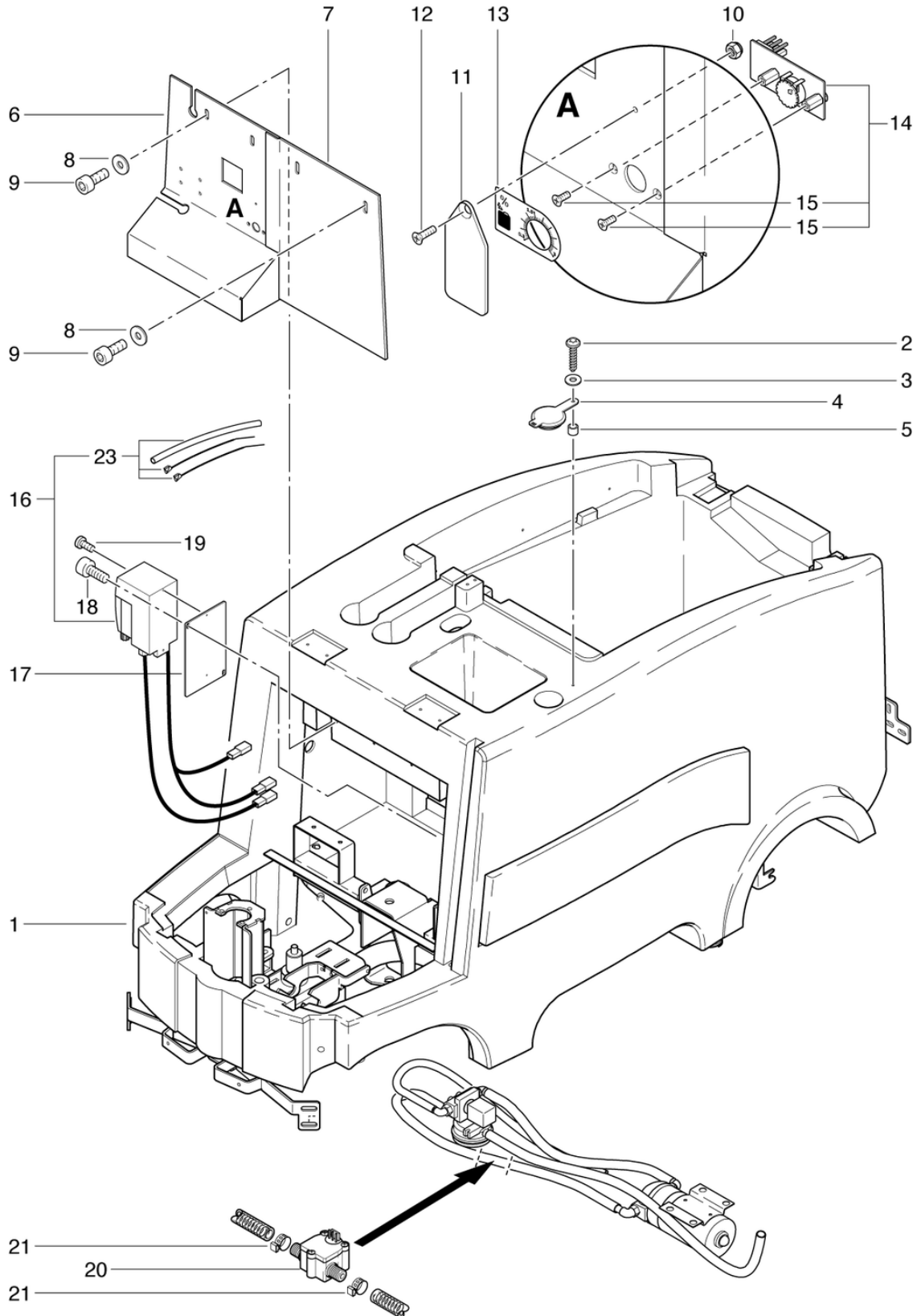
# CLEANFIX RA805

## Fresh water tank with chemical dosing

PDF created on: 31.10.2023 12:52



RA 800 Sauber



RA 800 - Frischwassertank mit Chemiedosierung / Fresh water tank with chemical dosing  
R servoir d'eau douce avec un dosage chimique  
ab Masch. Nr. / as from machine no. /   partir de appareils no 9216.001

B 17b-09.2020

<b>Pos.</b>	<b>Item no.</b>	<b>Spare part</b>
1	800.450	Tank Sauber 900
2	P483O	Screw DIN 7981 TX25 C 4,8 x 19 A2
3	P497C	Washer DIN 9021-A M4 4,3/12/1 A2
4	800.465	Cover
5	430.618	Distance ring $\varnothing 7/5$ x 5,5
6	800.493	Rear panel right
7	800.492	Rear panel left
8	P497H	Washer DIN 9021 M6 6,4/18/1,6 A2
9	P486R	Screw DIN 912 M6 x 16
10	P492D	Nut DIN 985 M4 A2
11	565.487	Cover flap
12	P479B	Screw DIN 965 M4 x 10 A2
13	565.439	Sticker
14	565.488	Potiprint dosing pump
15	P479X	Screw DIN 965 M3 x 5
16	565.491	Chemical Dosing Pump
17	565.434	Adaptor plate
18	P486Q	Screw DIN 912 M6 x 12 A2
19	P476O	Screw ISO DIN 7380 M3 x 8 A2K
20	565.406	Flowmeter
21	P550N	Hose clamp 19.8-706R
23	565.481	Pump hose set

# CLEANFIX RA805

## Wiring diagram

PDF created on: 31.10.2023 12:52



RA 800/900 Sauber

