

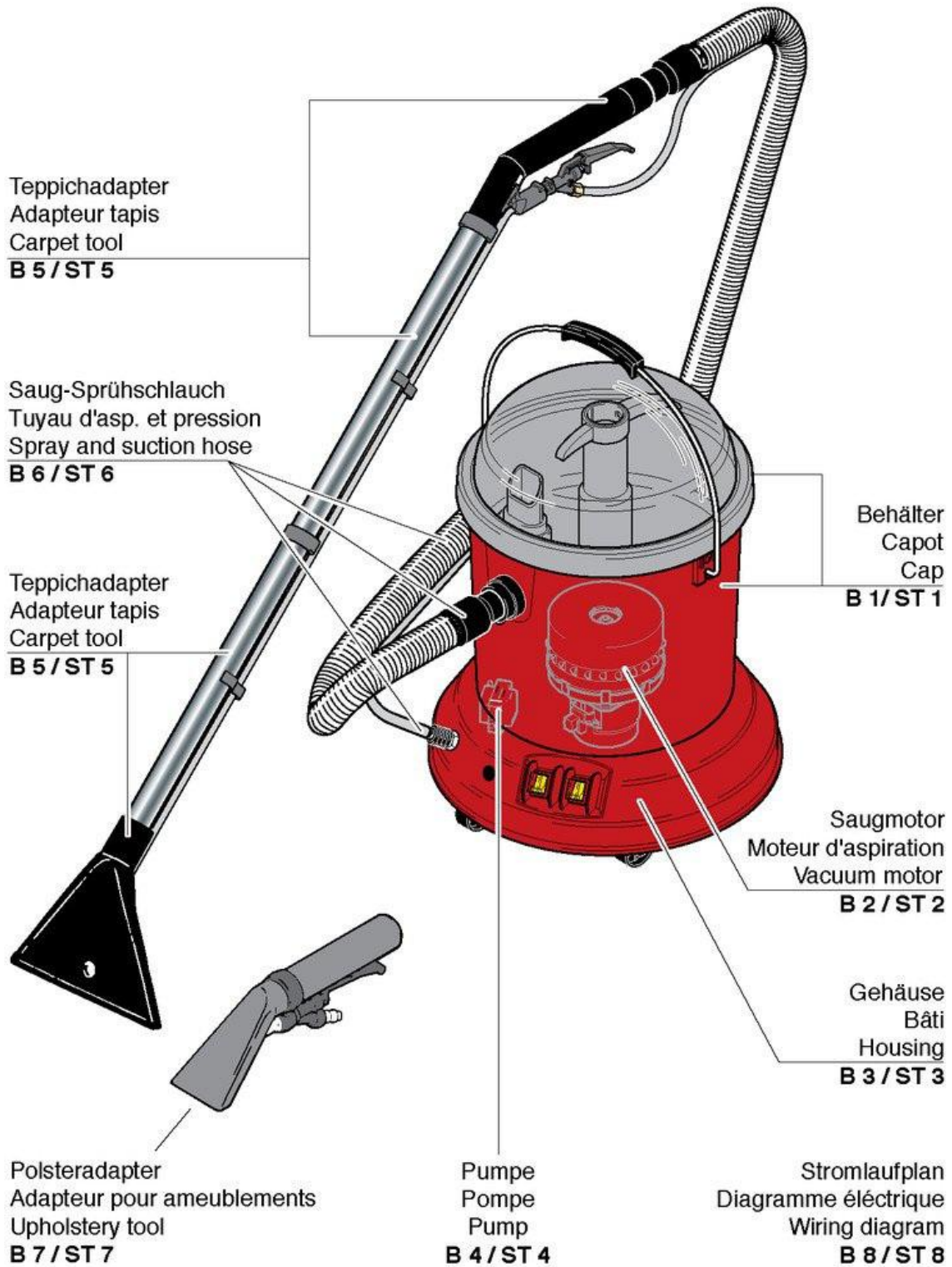
# TW 300 S

## Contents

Stand: 30.03.2017 21:38



TW 300 S



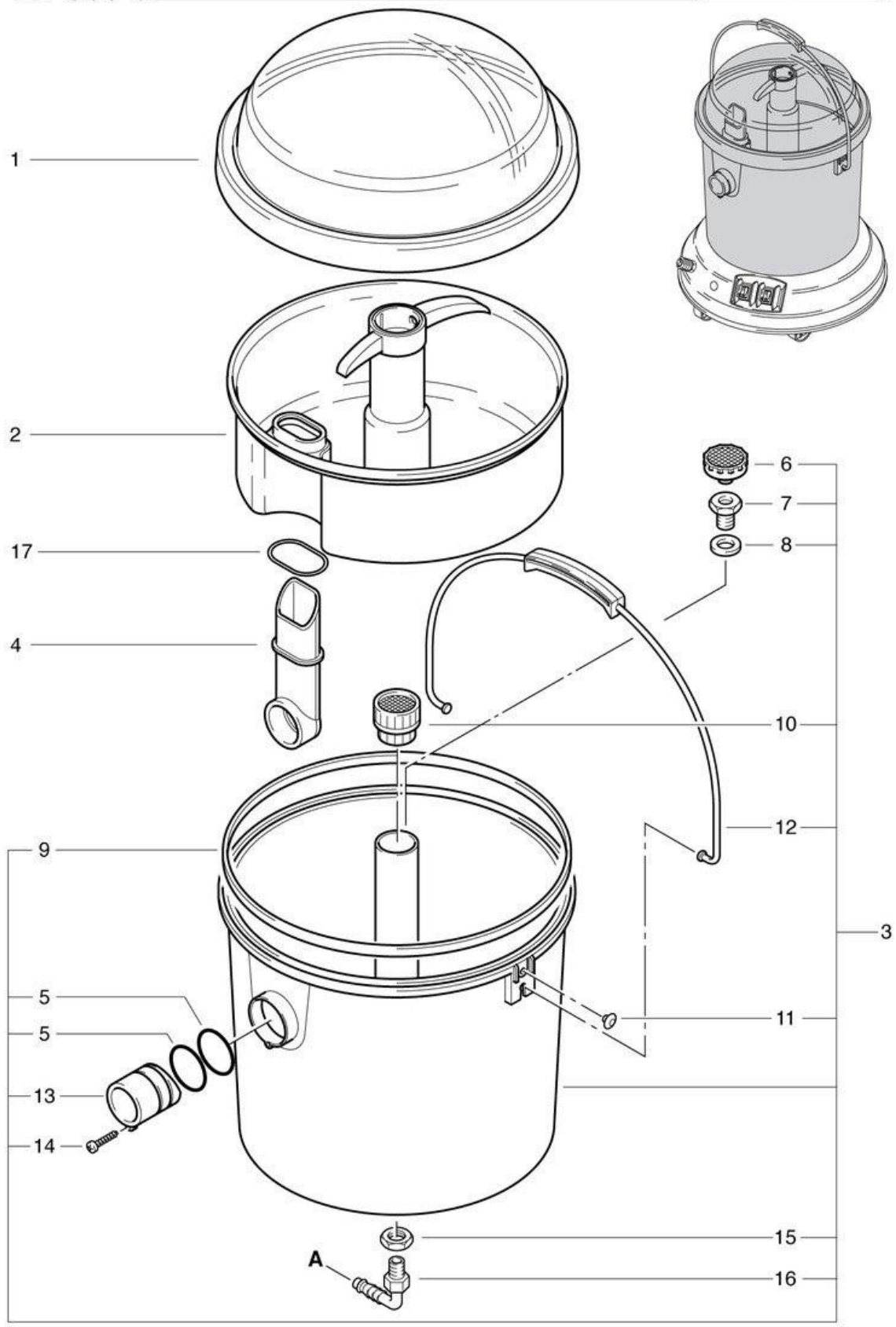
# TW 300 S

## Cap

Stand: 30.03.2017 21:38



TW 300 S



TW 300 S

Behälter / Capot / Cap

B 1-09.2016

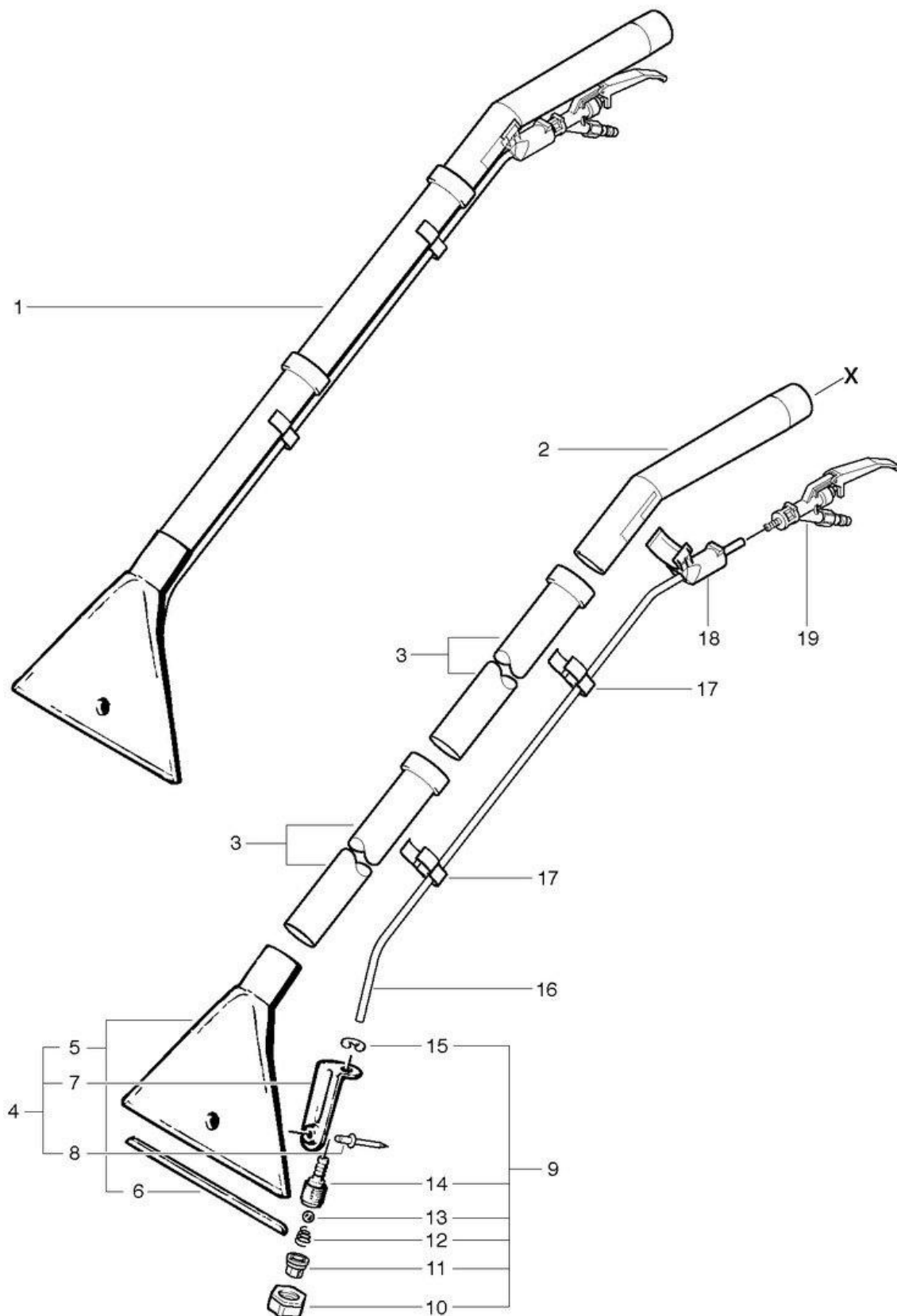
# TW 300 S

## Carpet tool

Stand: 30.03.2017 21:39



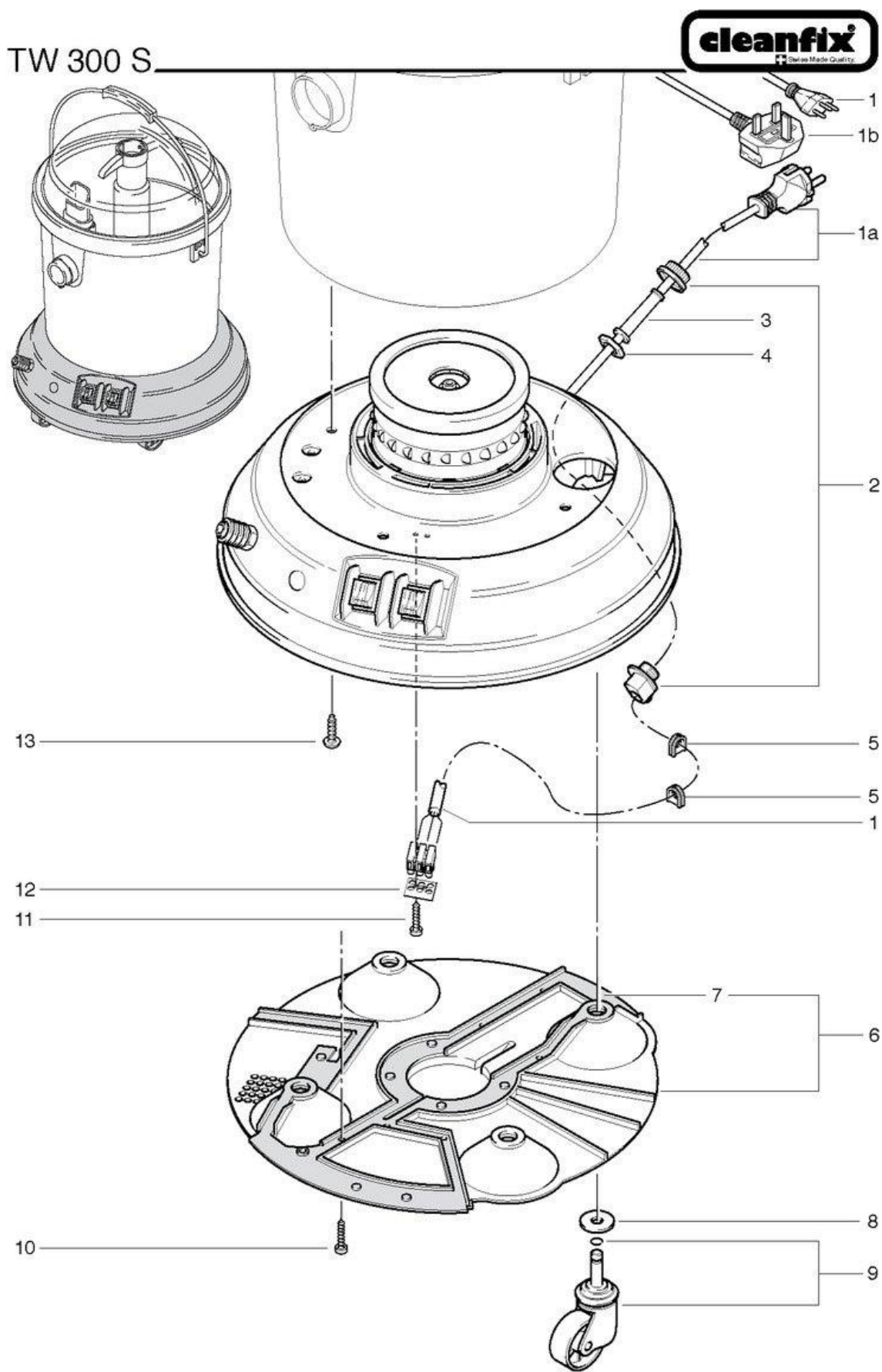
TW 300 S



# TW 300 S

## Housing

Stand: 30.03.2017 21:38

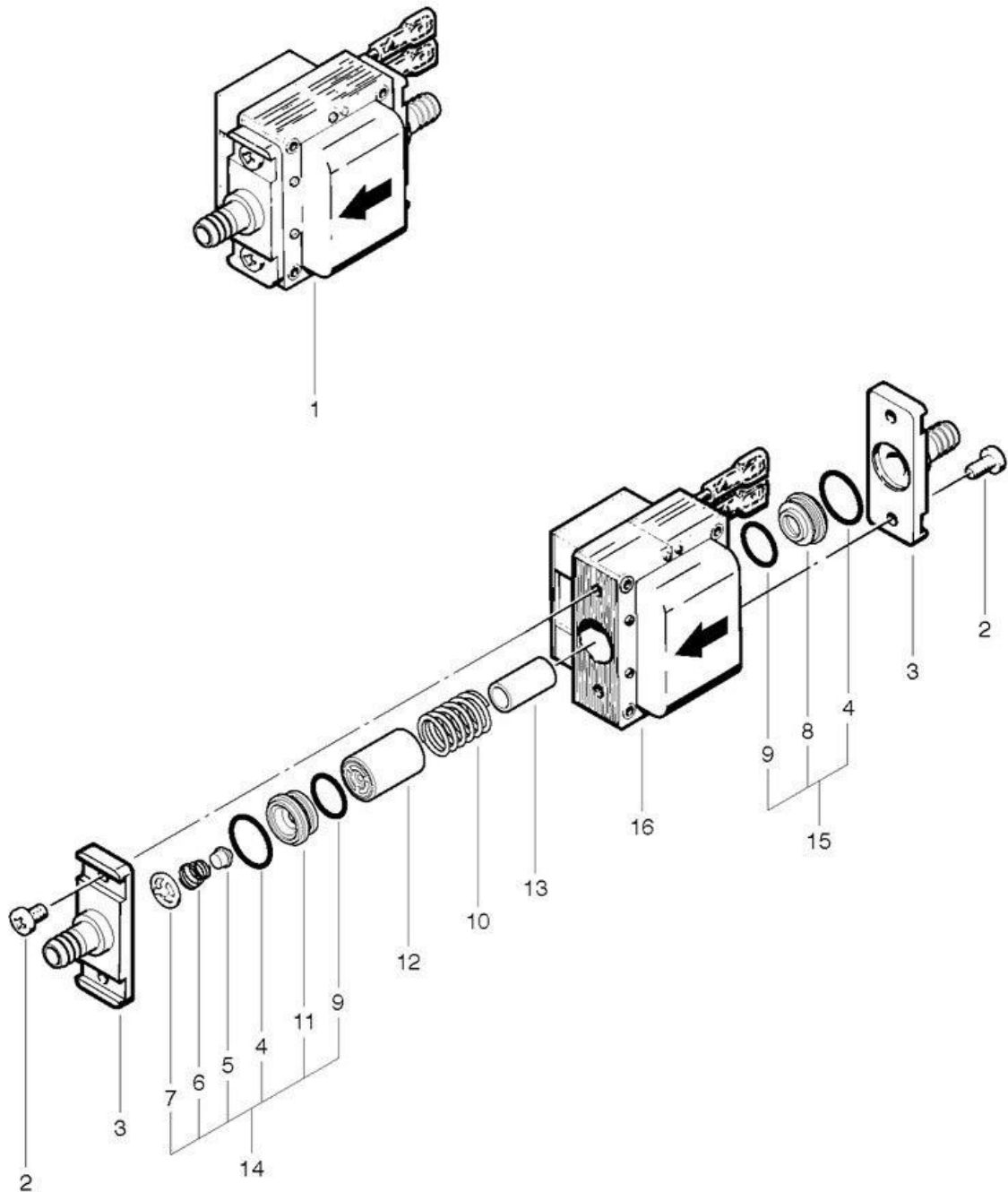


# TW 300 S

## Pomp

Stand: 30.03.2017 21:39

TW 300 S



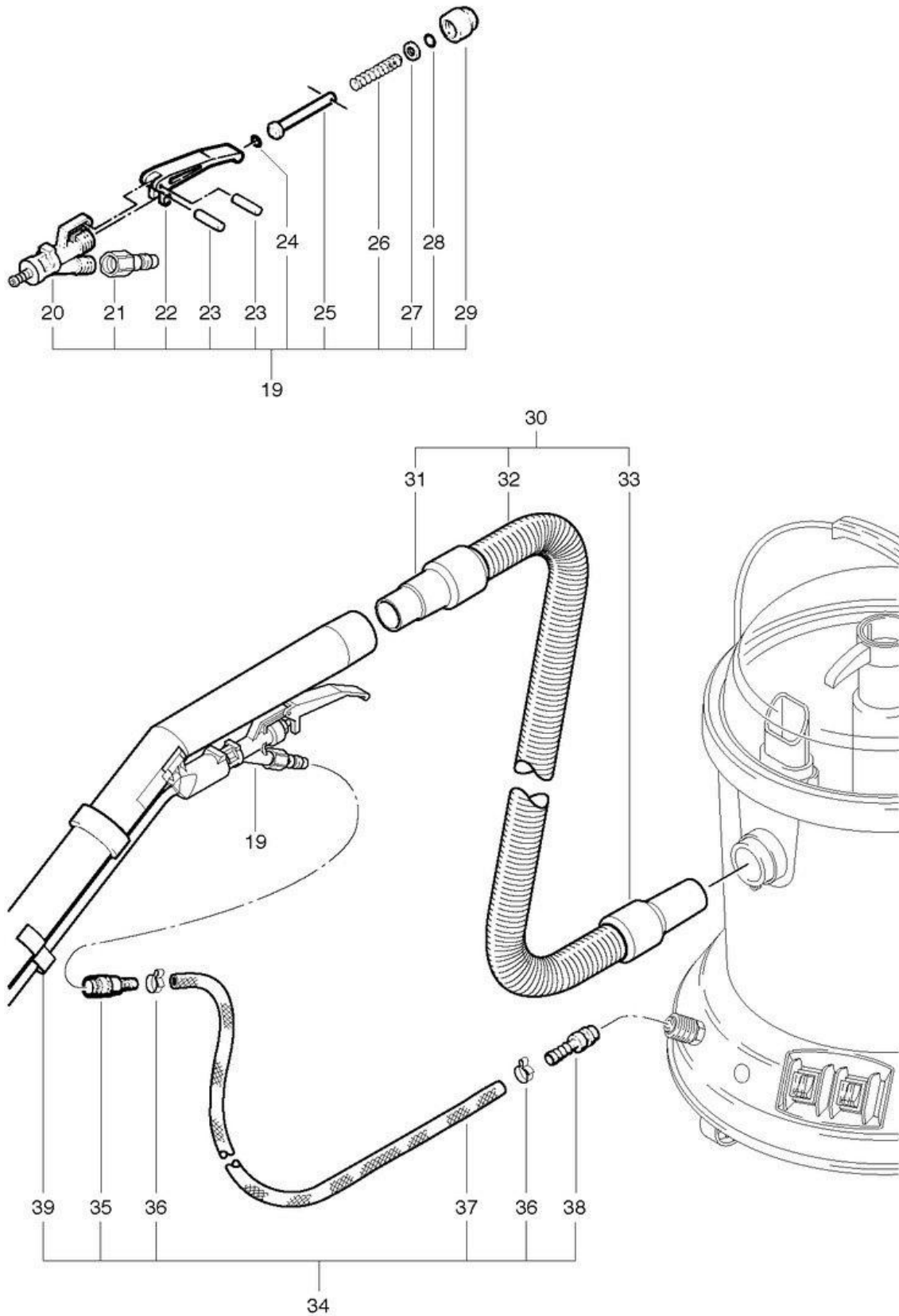
# TW 300 S

## Spray and suction hose

Stand: 30.03.2017 21:39



TW 300 S



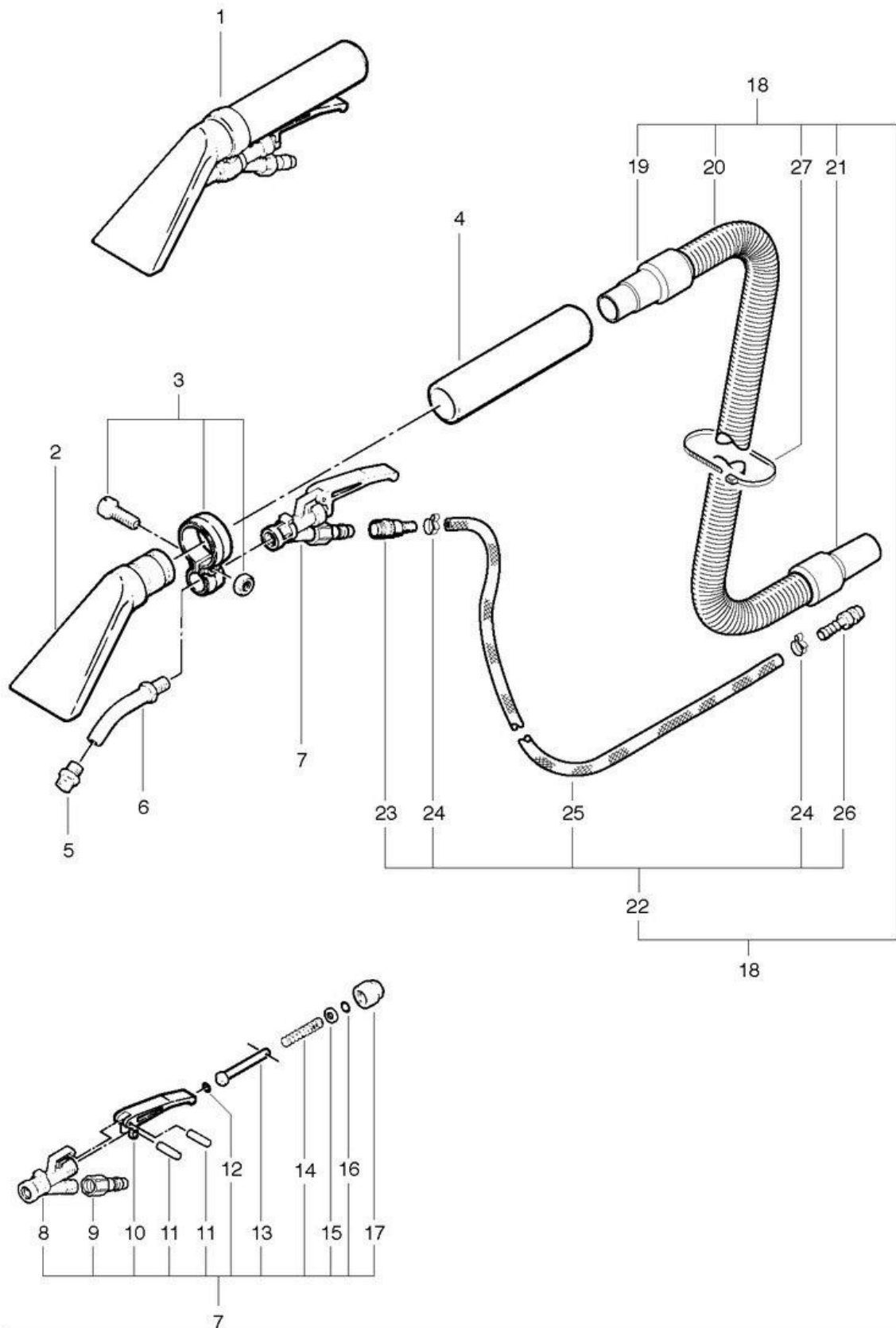
# TW 300 S

## Upholstery tool

Stand: 30.03.2017 21:39



TW 300 S



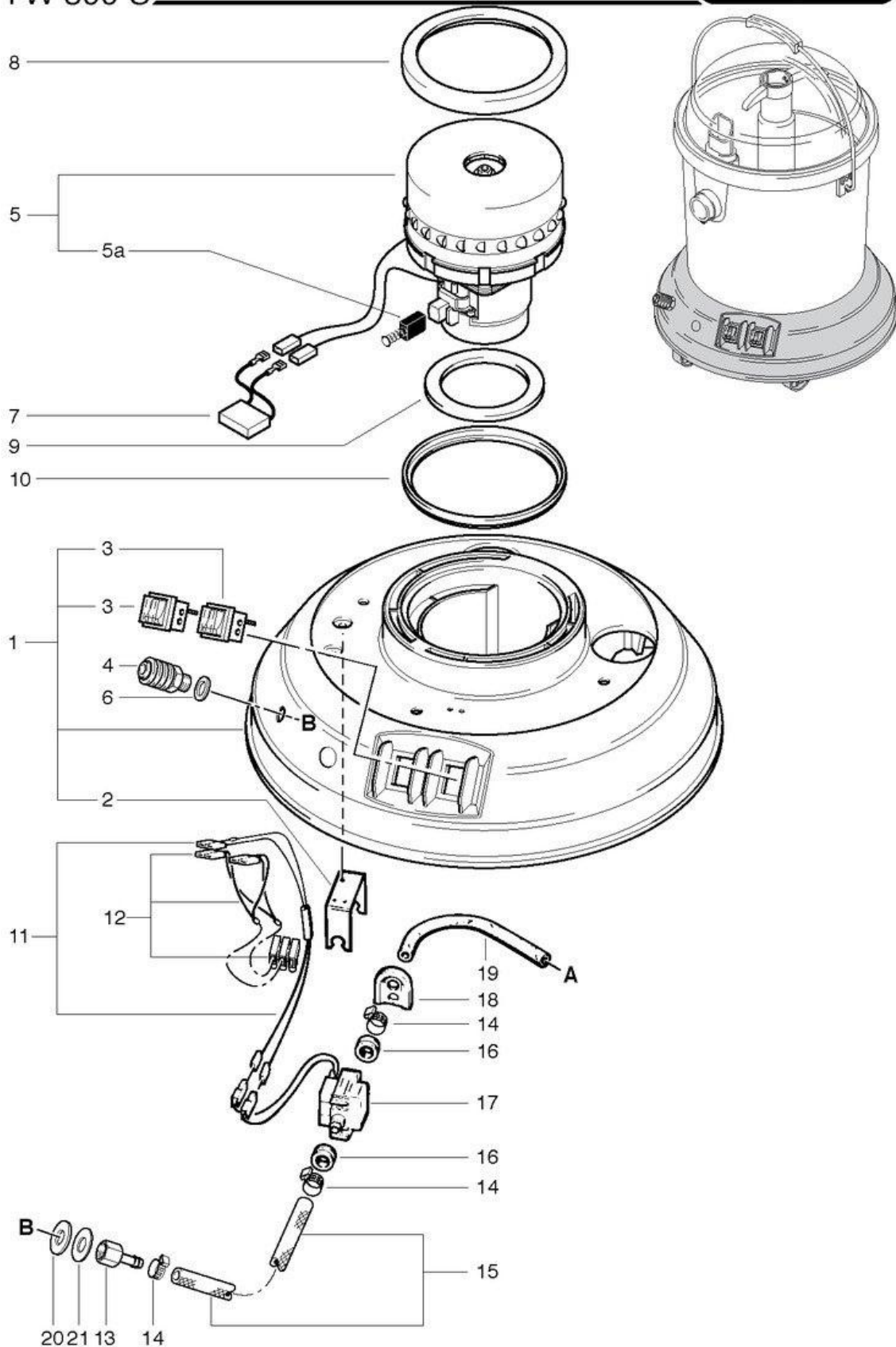
# TW 300 S

## Vacuum motor

Stand: 30.03.2017 21:38



TW 300 S



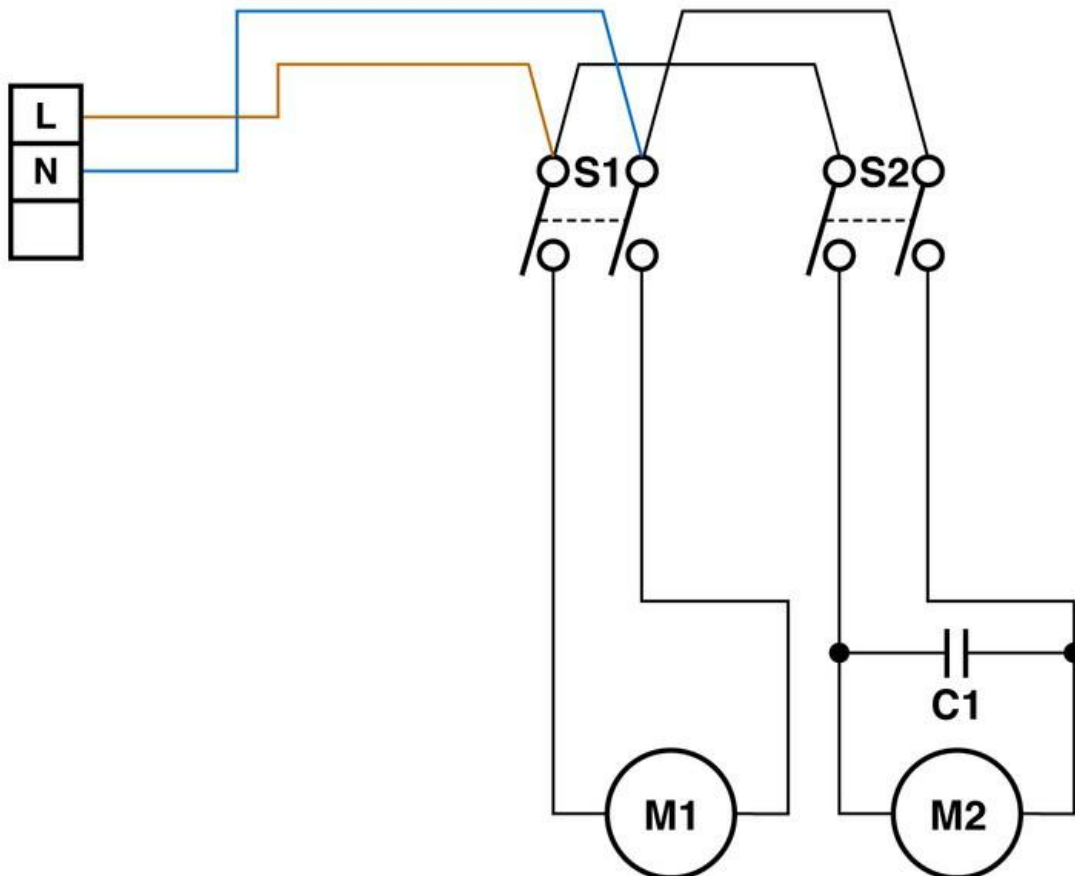


# TW 300 S

## Wiring diagram

Stand: 30.03.2017 21:39

TW 300 S



- S1 = Schalter 1 / Interrupteur 1 / Tumbler switch 1
- S2 = Schalter 2 / Interrupteur 2 / Tumbler switch 2
- C1 = Entstörkondensator 0,15  $\mu$ F / Condensateur 0,15  $\mu$ F / Capacitor 0,15  $\mu$ F
- M1 = Pumpe / Pompe / Pump
- M2 = Saugmotor LAMB, 750 W / Motuer d'aspiration 750 W, LAMB / Vacuum motor 750 W, LAMB
- M2 = Saugmotor OEP, 1000 W / Motuer d'aspiration 1000 W, OEP / Vacuum motor 1000 W, OEP